



## 2 Door Pizza Prep Table ♦ NP2R-PT



### Standard Features

- ♦ Stainless steel series 430 exterior
- ♦ Stainless steel series 304 interior
- ♦ Stucco aluminum back panel
- ♦ Self closing hinged doors with 90 degree stay open feature
- ♦ Bottom mounted compressor
- ♦ Optional 3-inch legs
- ♦ LED digital temperature display
- ♦ PVC coated adjustable wire shelves
- ♦ Compartment barrier prevents food spillage down to storage area
- ♦ Lift off compartment door hinges for easy cleaning
- ♦ 3/4" thick cutting board included
- ♦ Self contained system, simple installation
- ♦ Heavy-duty caster wheels

### Technical Specifications

Product Classification	Refrigerator
Climate Class	N
Number of Doors / Lids	2 Doors / 2 Lids
External Cabinet Material	430 Stainless Steel
Internal Cabinet Material	304 Stainless Steel
Type of Refrigeration Agent	R-290
Type of Temperature Control	Digital
Temperature Range °C	0°C to 5°C
Temperature Range °F	32°F to 41°F
Voltage / Frequency	115V / 60Hz
Amp	9.8
Compressor HP	1/5
Type of Insulation	2.5-Inch Polyurethane Foam
Door Handle	Full Length

### Certified Safety Standard

- ♦ ETL Listed
- ♦ ETL Sanitation Listed



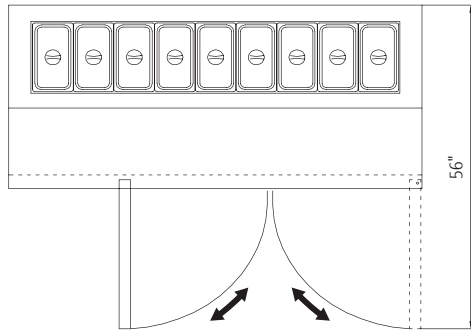
### Warranty Information

- ♦ 5 Years Compressor
- ♦ 3 Year Parts & Labor

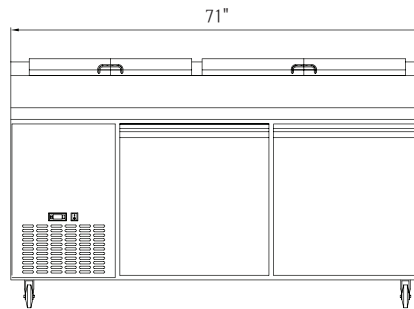




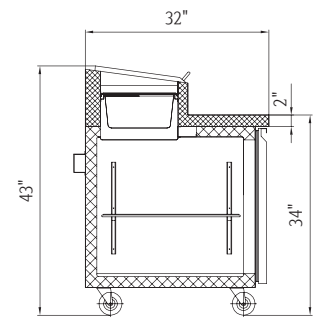
## 2 Door Pizza Prep Table ♦ NP2R-PT



Top View



Front View



Side Section



Plug Type: (NEMA) 5-15P

### Capacity

Gross Capacity 16 cu. ft.

### Dimensions

Internal Cabinet Width 48 in  
 Internal Cabinet Depth 23 in  
 Internal Cabinet Height 26 in  
 External Width 71 in  
 External Depth 32 in  
 External Height 43 in  
 Shipping Dimensions (W x D x H) 76 x 37 x 46 in

### Weight

Gross Weight 474 lbs.

### Accessories

Frost Free Yes  
 Adjustable Shelves 2  
 Fixed Shelves No  
 Internal Light No  
 Internal Light Switch No  
 External Light Switch No  
 Self Closing Door / Lid Yes  
 Door Holder for Loading Yes  
 Door / Lid Lock No  
 Reversible (Left) Door No  
 Adjustable Feet Optional  
 Adjustable Thermostat Yes  
 Pans (9) 1/3"