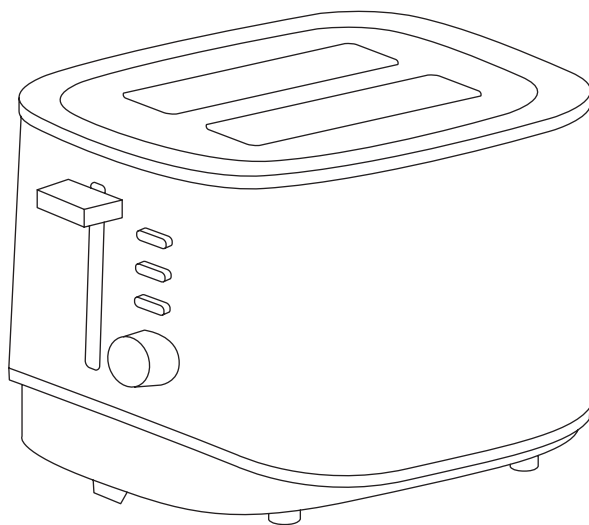




Magic Chef[®]

2-Slice Toaster

User's Manual



Model MCST2SS

**PLEASE READ THIS MANUAL CAREFULLY BEFORE USING YOUR TOASTER
AND KEEP IT FOR FUTURE REFERENCE.**



PRODUCT REGISTRATION

Thank you for purchasing a Magic Chef® product. The first step to protect your new product is to complete the product registration on our website: www.mcappliance.com/register. The benefits of registering your product include the following:

1. Registering your product will allow us to contact you regarding a safety notification or product update.
2. Registering your product will allow for more efficient warranty service processing when warranty service is required.
3. Registering your product could act as your proof of purchase in the event of insurance loss.

Once again, thank you for purchasing a Magic Chef product.

CONTENTS

PRODUCT REGISTRATION	2
IMPORTANT SAFETY INSTRUCTIONS	4
SPECIFICATIONS.....	6
PARTS AND FEATURES	7
OPERATING INSTRUCTIONS.....	8
CARE AND MAINTENANCE.....	10
LIMITED WARRANTY	11

IMPORTANT SAFETY INSTRUCTIONS

This manual contains Safety Instructions, Installation and Operating Instructions, and Troubleshooting Tips. Please carefully read this manual before using your toaster for instructions on how to use and maintain the product properly. Be sure to follow the safety instructions to avoid injury or damage to the product.

Keep this manual. When passing on/selling the device to a third party, the manual must be handed over along with the device.

Before calling for service, please make sure unit is installed and being used correctly, and read the troubleshooting section.

▲ WARNING: When using your appliance, follow the precautions listed below:

▲ NOTE: Specifications may change at any time without notice.

1. Read all instructions before using.
2. This appliance is for household use only.
3. This appliance should not be operated by anyone that is not able to follow proper safety procedures or does not have experience with this type of equipment, unless under close supervision.
4. Keep the appliance and its cord out of the reach of children.
5. DO NOT let the cord hang over edge of table or counter. ALWAYS keep cord away from hot surfaces or items.
6. DO NOT operate the appliance if it has a damaged cord or plug, or if it is damaged or malfunctions in any way.
7. This appliance is for cooking only.
8. DO NOT operate the unit or handle the plug with wet hands.
9. **▲ CAUTION:** When in use, metal surfaces of the toaster may become very hot. Use caution when handling.
10. ALWAYS place unit on stable, heat resistant surface. DO NOT use on carpet, vinyl, cloth, etc.
11. DO NOT use near or below curtains or other combustible materials.
12. DO NOT place the appliance directly against a wall.
13. DO NOT operate this appliance for more than one hour without allowing it to cool down.
14. This appliance is not intended to be operated by means of an external timer or separate remote-control system.
15. The toaster is intended for indoor use only. DO NOT use outdoors.
16. ALWAYS unplug the toaster from electrical outlet and allow it to cool before cleaning.
17. DO NOT immerse any part of this appliance in water or any other liquid.
18. Wipe the exterior with a clean, damp cloth and remove the crumb tray for cleaning. DO NOT touch internal heating elements during cleaning and maintenance.
19. **▲ WARNING:** If toasting bread slices less than 3-1/2" (85mm) in height, use caution when removing from the toaster and be aware that interior parts, as well as hot metal exterior surfaces, have the potential risk of burning.
20. **▲ CAUTION:** When toasting pastries, the filling may be very hot even before the surface toasts.
21. **▲ CAUTION:** DO NOT modify, disassemble, or attempt repair the unit. There are no user serviceable parts.
22. The use of accessory attachments not recommended by the appliance manufacturer may cause injuries.
23. DO NOT place on or near a hot gas or electric burner, or in a heated oven.

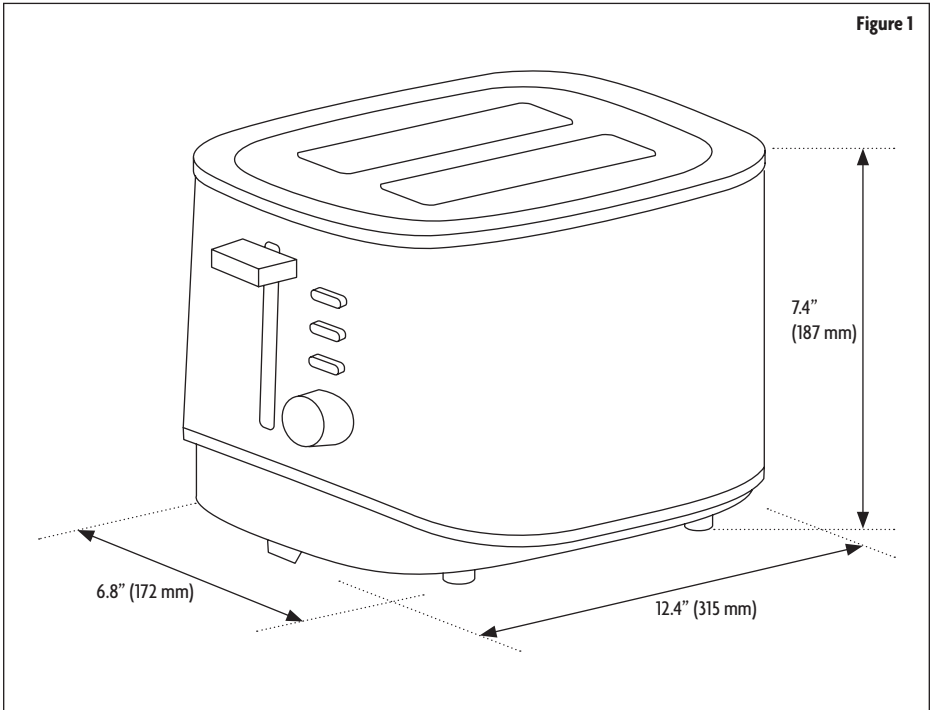
24. To disconnect, turn any control to “off” then remove plug from wall outlet.
25. DO NOT insert oversized food, foil packages, or utensils in the toaster to prevent the risk of fire or electric shock.
26. A fire may occur if toaster is covered or touching flammable material, including curtains, draperies, walls, or similar items when in operation.
27. DO NOT attempt to dislodge food when toaster is plugged in.
28. DO NOT leave the appliance unattended while it is in use.
29. When heating toaster pastries, always use the lightest toast color setting.
30. This appliance has a polarized plug (one blade is wider than the other). To reduce the risk of electric shock, this plug is intended to fit into a polarized outlet only one way. If the plug does not fit fully into the outlet, reverse the plug. If it still does not fit, contact a qualified electrician. Do not attempt to modify the plug in any way.

▲ NOTE: A short power-supply cord is provided to reduce the risks resulting from becoming entangled in or tripping over a longer cord. Extension cords are available and may be used if care is exercised in their use. The marked electrical rating of the extension cord should be at least as great as the electrical rating of the appliance. The longer cord should be arranged so that it will not drape over the countertop or table top where it can be pulled on by children or tripped over.

**READ AND FOLLOW THIS
SAFETY INFORMATION CAREFULLY
SAVE THESE INSTRUCTIONS**

SPECIFICATIONS

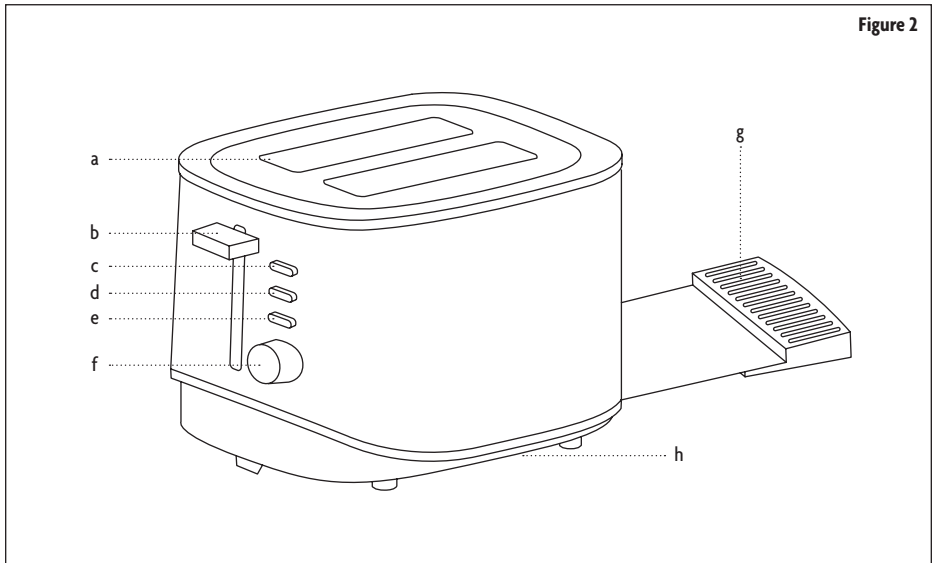
Figure 1



Dimensions (W x H x D)	6.8" x 7.4" x 12.4" (172 mm x 187 mm x 315 mm)
Capacity	2 Slice
Power Supply	120V - 60Hz
Rated Power	770 Watts

PARTS AND FEATURES

Figure 2



- a. Bread Slots: 2 slices of bread can be toasted.
- b. Toaster Lever: Starts the toaster and moves bread carriage to raise or lower slices of bread.
- c. Cancel Button: Stops the toasting process.
- d. Bagel Button: For toasting Bagels
- e. Reheat/Defrost Button:
 - Reheat: Reheats without browning. Indicator lights red when selected.
 - Defrost: Defrosts and toasts frozen bread. Indicator lights green when selected.
- f. Light/Dark Selector: Sets desired toast color from light to dark.
- g. Crumb Tray: Tray removes easily to clean crumbs from bottom of toaster.
- h. Cord Storage: Stores excess cord and keeps countertop neat.

OPERATING INSTRUCTIONS

Before using for the first time, remove all packing materials. Ensure that any packaging inside toaster slots is removed.

▲ NOTE: Run the toaster empty the first time it is used to allow any dust that may have accumulated on the heating elements to burn off.

1. Make sure the crumb tray is in place and the toaster lever is in the UP position.
2. Place toaster on a flat, level surface away from the wall.
3. Unwind power cord and insert the plug into a properly installed electrical outlet.
4. Insert slices of bread.
5. Turn the light/dark selector onto desired position from 1 (lightest) to 7 (darkest) on the control knob.
6. Push lever down for cooking.
7. Unplug the toaster when you are finished using it.

▲ NOTE: Press the “CANCEL” to cancel the mode setting.

TOASTING NOTES

Toasting is a combination of cooking and drying bread, and moisture levels differ from one type of bread to another, which can vary toasting times.

Preheating is not necessary before using. When using for the first time, DO NOT place any bread into toaster. Some light smoke or a burning smell may come out of the unit, which is normal.

- For drier breads, use a lighter setting than normal.
- For fresh bread or whole wheat, use a darker setting than normal.
- Breads with very uneven surfaces (such as English muffins) will require a darker setting.
- Thicker pieces of bread will take longer to toast, and may require two cycles to toast.
- When toasting raisin or other fruit breads, remove any loose raisins from the surface of the bread before inserting into the toaster. This will help prevent pieces from falling into the toaster or sticking on the metal guard in the slot.
- If you are toasting a single slice of bread, set the selector lighter than normal. The toaster is designed to heat the entire toasting chamber for two slices, so will toast a single slice faster.
- Frozen breads, waffles, pancakes and French toast should be warmed using the defrost button.

▲ CAUTION: When toasting pastries, the filling may be very hot even before the surface toasts.

DEFROST/REHEAT BUTTON

The Defrost/Reheat button is designed to first defrost and toast the bread, or reheat it. Press once for Reheat, and again for Defrost.

When defrosting, turn the Light/Dark selector knob to the desired position:

- Setting 1-2: for refrigerated breads and thinner frozen items such as frozen pancakes.
- Setting 3-4: for pastries, frozen waffles and thin French toast.
- Setting 5-7: for thicker frozen items such as hand cut bread and thick French toast.

BAGEL BUTTON

The Bagel button is used for heating bagels, by only heating the outer set of elements.

CARE AND MAINTENANCE

1. ALWAYS unplug the toaster from the electrical outlet and allow it to cool before cleaning.
2. DO NOT use abrasive cleansers. Simply wipe the exterior with a clean damp cloth and polish with a soft dry cloth. Apply any cleaners to the cloth, not directly onto the toaster.
3. To remove crumbs, pull out the crumb tray and discard crumbs. Wipe the crumb tray clean and then replace it. NEVER operate the toaster without the crumb tray in place.
4. To remove any crumbs that remain in the toaster, turn the toaster upside down and shake gently. Never insert anything into the slots as it could damage the toaster and create a safety hazard.
5. NEVER wrap the power cord around the outsides of the toaster, use the cord storage cleats on the underside of the toaster.



LIMITED WARRANTY

MC Appliance Corporation warrants each new Toaster to be free from defects in material and workmanship, and agrees to remedy any such defect or to furnish a new part(s), at the company's option, for any part(s) of the unit that has failed during the warranty period. Parts and labor expenses are covered on this unit for a period of one year from the date of purchase. A copy of the dated sales receipt/invoice is required to receive warranty service, replacement or refund.

This warranty covers appliances in use within the contiguous United States, Alaska, Hawaii and Puerto Rico. This warranty does not cover the following:

- Damages due to shipping damage or improper installation.
- Damages due to misuse or abuse.
- Content losses due to failure of the unit.
- Repairs performed by unauthorized service agents.
- Service calls that do not involve defects in material and workmanship such as instructions on proper use of the product or improper installation.
- Replacement or resetting of house fuses or circuit breakers.
- Failure of this product if used for other purposes than its intended purpose.
- Disposal costs for any failed unit not returned to our factory.
- Any delivery/installation costs incurred as the result of a unit that fails to perform as specified.
- Expenses for travel and transportation for product service if your appliance is located in a remote area where service by an authorized service technician is not available.
- The removal and reinstallation of your appliance if it is installed in an inaccessible location or is not installed in accordance with published installation instructions.
- Refunds for non repairable products are limited to the price paid for the unit per the sales receipt.
- This warranty is non transferable. This warranty applies only to the original purchaser and does not extend to any subsequent owner(s).

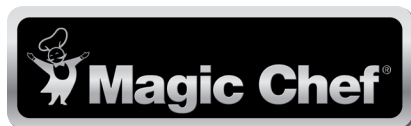
Limitations of Remedies and Exclusions:

Product repair in accordance with the terms herein, is your sole and exclusive remedy under this limited warranty. Any and all implied warranties including merchantability and fitness for a particular purpose are hereby limited to one year or the shortest period allowed by law. MC Appliance Corporation is not liable for incidental or consequential damages and no representative or person is authorized to assume for us any other liability in connection with the sale of this product. Under no circumstances is the consumer permitted to return this unit to the factory without the prior written consent of MC Appliance Corporation.

Some states prohibit the exclusion or limitation of incidental or consequential damages, or limitations on implied warranties. This warranty gives you specific legal rights, and you may also have other rights which vary from state to state.

Model	Parts	Labor	Type of Service
MCST2SS	One Year	One Year	Carry In

For Service or Assistance please call **888-775-0202** or visit us on the web at www.mcappliance.com to request warranty service or order parts.



**CNA International, Inc. d/b/a MC Appliance Corporation. All rights reserved.
Magic Chef® logo is a registered trademark of CNA International, Inc.**

www.mcappliance.com

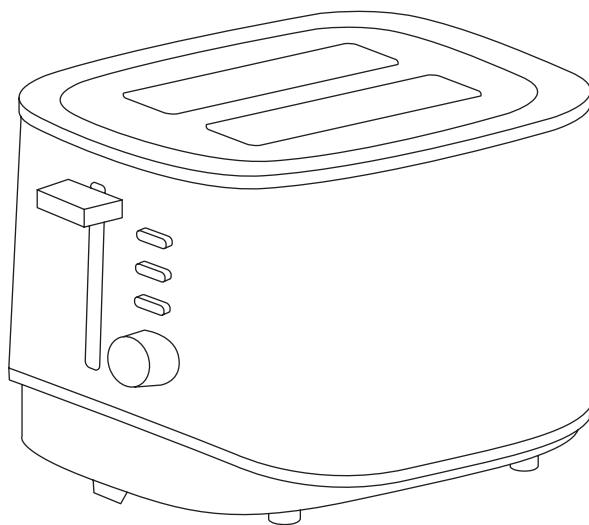
Printed in China



Magic Chef®

Tostadora de 2 rebanadas

Manual del usuario



Modelo MCST2SS

**POR FAVOR LEA ATENTAMENTE ESTE MANUAL ANTES DE USAR SU
TOSTADOR CONSÉRVELO PARA FUTURAS REFERENCIAS.**



REGISTRO DEL PRODUCTO

Gracias por comprar un producto Magic Chef®. El primer paso para proteger su nuevo producto es completar el registro del producto en nuestro sitio web: www.mcappliance.com/register. Entre los beneficios de registrar su producto se incluyen los siguientes:

1. Registrar su producto nos permitirá contactarlo en relación con cualquier aviso de seguridad o actualización del producto.
2. Registrar su producto permitirá un proceso de servicio de garantía más eficiente, cuando se requiera el servicio de garantía.
3. Registrar su producto podría servir como su prueba de compra en el caso de que usted sufra una pérdida que esté cubierta por el seguro.

Una vez más, gracias por comprar un producto Magic Chef.

ÍNDICE

REGISTRO DEL PRODUCTO	14
INSTRUCCIONES DE SEGURIDAD IMPORTANTES	16
ESPECIFICACIONES	18
PARTES Y FUNCIONES	19
INSTRUCCIONES DE FUNCIONAMIENTO.....	20
CUIDADO Y MANTENIMIENTO	22
GARANTÍA LIMITADA	23

INSTRUCCIONES DE SEGURIDAD IMPORTANTES

Este manual contiene instrucciones de seguridad, instrucciones de instalación y funcionamiento, y consejos de solución de problemas. Por favor, lea atentamente este manual antes de utilizar su tostadora para conocer las instrucciones sobre cómo utilizar y mantener el producto adecuadamente. Asegúrese de seguir las instrucciones de seguridad para evitar lesiones o daños al producto.

Guarde este manual. Al transferir/vender el dispositivo a un tercero, el manual debe entregarse junto con el dispositivo.

Antes de contactar al servicio técnico, por favor cerciórese de que la unidad esté instalada y se esté usando de manera correcta, y lea la sección de solución de problemas.

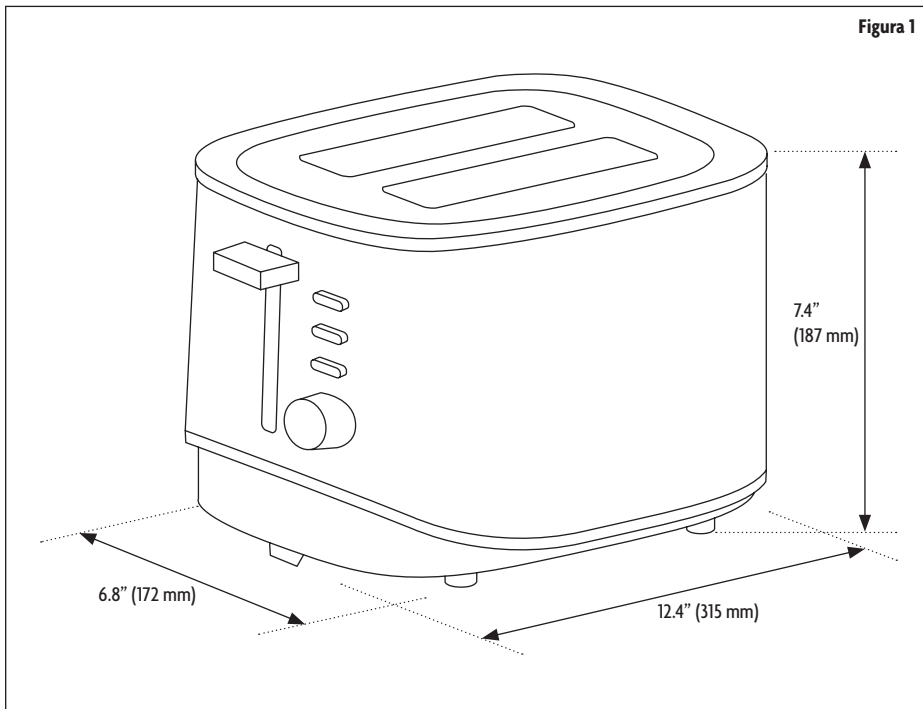
▲ ADVERTENCIA: Siga las precauciones que se indican a continuación al utilizar su aparato:

▲ NOTA: Las especificaciones pueden cambiar en cualquier momento sin aviso previo.

1. Lea todas las instrucciones antes de utilizarlo.
2. Este aparato es solo para uso doméstico.
3. Este aparato no debe ser operado por alguien que no pueda seguir los procedimientos de seguridad adecuados o que no tenga experiencia con este tipo de equipos, a menos que sea bajo atenta supervisión.
4. Mantenga el aparato y el cable fuera del alcance de los niños.
5. NO deje que el cable quede colgando del borde de mesas o mesones. SIEMPRE mantenga el cable alejado de superficies u objetos calientes.
6. NO opere este aparato si tiene dañado el cable o la clavija, o si está defectuoso o funciona mal de alguna manera.
7. Este aparato es solo para cocción.
8. NO opere la unidad ni manipule la clavija con las manos húmedas.
9. **▲ PRECAUCIÓN:** Mientras está en uso, las superficies metálicas de la tostadora pueden calentarse mucho. Tenga precaución durante su manejo.
10. SIEMPRE coloque la unidad sobre una superficie estable y resistente al calor. NO utilice sobre alfombras, vinilos, telas, etc.
11. NO la utilice cerca de cortinas u otros materiales inflamables ni debajo de los mismos.
12. NO coloque el aparato directamente contra la pared.
13. NO utilice este aparato durante más de una hora sin permitir que se enfríe.
14. Este aparato no está diseñado para ser utilizado con un temporizador externo ni un sistema a control remoto aparte.
15. La tostadora es solo para uso en interiores. NO utilice al aire libre.
16. SIEMPRE desenchufe la tostadora del tomacorriente eléctrico y permita que se enfríe antes de limpiarla.
17. NO sumerja ninguna parte de este aparato en agua ni en cualquier otro líquido.
18. Seque la parte exterior con un paño limpio y húmedo, y retire la bandeja recogemigas para limpiarla. NO toque los elementos térmicos internos durante la limpieza ni durante el mantenimiento.
19. **▲ ADVERTENCIA:** Si tuesta rebanadas de pan de altura inferior a 3-1/2" (85mm), tenga precaución al sacarlos de la tostadora, tenga en cuenta que, tanto las piezas internas como las superficies metálicas externas calientes suponen un riesgo potencial de quemadura.

- Σ1' ▼ **ΠΡΕΣΥΝΣΙΟΝ:** ΗΟ ατρε' δεσμενε ηι ιντερετρε λεβατα η α ηυδαβη. ΗΟ κοντρενε ηερεαε due ηυεδου ηεη ηυερε'.
- Σ0' ▼ **ΠΡΕΣΥΝΣΙΟΝ:** Αη φορετα ηαρεηερε' εη ηεηηενο ηυεδε αηεηερεηε ηυεηο ηυεηο ηυεηο αηερε δε due ηε ηυεηεηεηε ηε

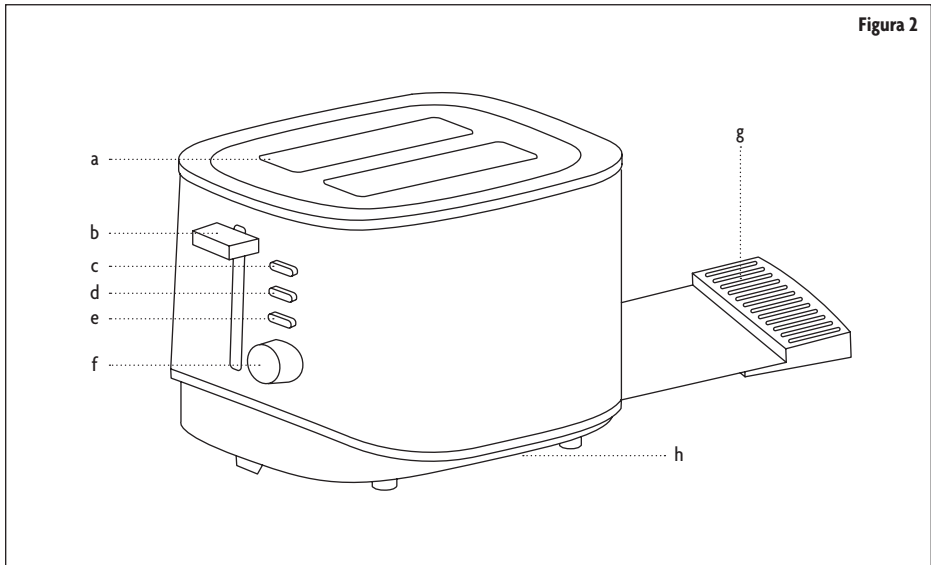
ESPECIFICACIONES



Dimensiones (A x L x P)	6.8" x 7.4" x 12.4" (172 mm x 187 mm x 315 mm)
Capacidad	2 rebanadas
Fuente de alimentación	120V - 60Hz
Potencia de entrada	770 Watts

PARTES Y FUNCIONES

Figura 2



- a. Ranuras para pan: Se pueden tostar 2 rebanadas de pan.
- b. Palanca de la tostadora: Enciende la tostadora y mueve el soporte de pan para subir o bajar las rebanadas de pan.
- c. Botón de cancelación: Detiene el proceso de tostado.
- d. Botón de descongelación / recalentamiento:
 - Recalienta. Recaliente sin dorar. El indicador se ilumina en rojo cuando se selecciona esta opción.
 - Descongela y tuesta pan congelado. El indicador se ilumina en verde cuando se selecciona esta opción.
- e. Bagel Button: Para tostar bagels
- f. Selector de intensidad del tostado: Establece la intensidad de tostado deseado de poco a muy tostado.
- g. Bandeja recogemigas: La bandeja se retira fácilmente para limpiar las migas del fondo de la tostadora.
- h. Almacenamiento del cable: Almacena el cable sobrante y mantiene el mesón limpio.

INSTRUCCIONES DE FUNCIONAMIENTO

Antes de utilizarlo por primera vez, retire todos los materiales de empaque. Asegúrese de retirar cualquier empaque de las ranuras internas de la tostadora.

▲ NOTA: La primera vez que utilice la tostadora, hágalo con ella vacía para permitir que se queme cualquier polvo que se haya acumulado en los elementos térmicos.

1. Cerciórese de que la bandeja recogemigas se encuentre en su lugar y la palanca de la tostadora se encuentre en posición SUPERIOR.
2. Coloque la tostadora en una superficie plana y nivelada retirada de la pared.
3. Desenrolle el cable de alimentación e inserte la clavija en un tomacorriente eléctrico instalado adecuadamente.
4. Inserte las rebanadas de pan.
5. Gire el seleccionador de intensidad a la posición deseada desde 1 (poco tostado) hasta 7 (muy tostado) en la perilla de control.
6. Empuje la palanca hacia abajo para cocinar.
7. Desenchufe la tostadora una vez termine de utilizarla.

▲ NOTA: Presione el botón "CANCEL" para cancelar el ajuste del modo.

NOTAS SOBRE EL TOSTADO

El tostado es una combinación entre la cocción y el secado del pan; los niveles de humedad difieren de un tipo de pan a otro, lo cual puede variar el tiempo de tostado.

No es necesario el precalentamiento previo a su uso. Al utilizar la tostadora por primera vez, no coloque ningún pan dentro de esta. Es posible que la unidad emita cierto humo u olor a quemado; esto es normal.

- Para panes más secos, utilice un ajuste de menor tostado que el normal.
- Para panes frescos o panes de trigo integral, utilice un ajuste de mayor tostado que el normal.
- Los panes con superficies muy irregulares (como el panecillo inglés) requieren un ajuste de mayor tostado.
- Las piezas de pan más gruesas tomarán más tiempo en tostarse y pueden requerir dos ciclos para tostarse.
- Al tostar pan de pasas u otro pan de frutas, retire cualquier pasa suelta de la superficie del pan antes de insertarlo dentro de la tostadora. Esto ayudará a evitar que las piezas caigan dentro de la tostadora o se peguen en la protección metálica en la ranura.
- Si tuesta una sola rebanada de pan, establezca el seleccionador de tostado menor al normal. La tostadora está diseñada para calentar el compartimiento de tostado entero para dos rebanadas; por esta razón, tostará una sola rebanada con mayor rapidez.
- El pan congelado, los gofres, los panqueques y las tostadas francesas deben calentarse utilizando el botón de descongelamiento.

▲ PRECAUCIÓN: Al tostar pasteles, el relleno puede calentarse mucho incluso antes de que la superficie se tueste.

BOTÓN DE DESCONGELACIÓN / RECALENTAMIENTO

El botón Descongelar / Recalentar está diseñado para descongelar primero y tostar el pan, o para recalentarlo. Presione el botón una vez para recalentar, y nuevamente para descongelar.

Al descongelar, gire el selector de luz / oscuridad a la posición deseada:

- Ajuste 1-2: para pan refrigerado o piezas congeladas más delgadas tales como panqueques.
- Ajuste 3-4: para pasteles, gofres congelados y tostadas francesas delgadas.
- Ajuste 5-7: para piezas congeladas más gruesas tales como pan cortado a mano y tostadas francesas gruesas.

BAGEL BOTÓN

El botón Bagel se utiliza para calentar los bagels, calentando sólo el conjunto exterior de elementos.

CUIDADO Y MANTENIMIENTO

1. Siempre desenchufe la tostadora del tomacorriente eléctrico y permita que se enfríe antes de limpiarla.
2. No utilice limpiadores abrasivos. Simplemente limpie la parte exterior con un paño húmedo limpio y púlala con un paño suave y seco. Aplique cualquier limpiador al paño, no directamente a la tostadora.
3. Para quitar las migas, extraiga la bandeja recogemigas y deséchelas. Seque la bandeja recogemigas hasta limpiarla y luego colóquela nuevamente en su lugar. Nunca opere la tostadora si la bandeja recogemigas no se encuentra en su lugar.
4. Para quitar cualquier miga que permanezca en la tostadora, voltee la tostadora boca abajo y agítela suavemente. Nunca inserte dentro de las ranuras cualquier elemento que pueda dañar la tostadora y ocasionar un peligro para la seguridad.
5. Nunca enrolle el cable de alimentación alrededor de la tostadora, utilice las grapas de almacenamiento para cables en la parte inferior de la tostadora.



GARANTÍA LIMITADA

MC Appliance Corporation garantiza que cada Tostadora nueva carece de defectos en los materiales y en la mano de obra, y conviene en remediar cualquier defecto o proporcionar la(s) pieza(s) nueva(s), por cualquier/cualesquiera pieza(s) de la unidad que haya(n) fallado durante el período de garantía, a discreción de la compañía. Las piezas y los gastos de mano de obra de esta unidad están cubiertos por un período de un año a partir de la fecha de compra. Es necesario presentar una copia del recibo o de la factura de venta fechado, para recibir el servicio de garantía, reemplazo o reembolso.

Esta garantía cubre los aparatos en uso dentro de los Estados Unidos contiguos, Alaska, Hawái y Puerto Rico. Esta garantía no cubre lo siguiente:

- Los daños causados durante el envío o por instalación incorrecta.
- Los daños causados por uso incorrecto o abuso.
- La pérdida de contenido a causa de fallas de la unidad.
- Las reparaciones llevadas a cabo por agentes de servicio no autorizados.
- Las llamadas al servicio técnico que no impliquen defectos en el material y mano de obra, tales como instrucciones sobre el uso correcto del producto o la instalación incorrecta.
- El reemplazo o reajuste de los fusibles de la casa o los interruptores de circuito.
- La falla de este producto si se usa para fines distintos de aquellos para los que fue diseñado.
- Los costos de desecho de cualquier unidad defectuosa no devuelta a nuestra fábrica.
- Cualquiera de los costos de entrega/instalación incurridos como resultado de una unidad que no funcione según las especificaciones.
- Los gastos de viaje y transporte para obtener servicio para el producto si su aparato está ubicado en una zona remota donde el servicio por parte de un técnico de servicio autorizado no está disponible.
- El retiro y la nueva instalación de su aparato si está instalado en una ubicación inaccesible o no fue instalado conforme a las instrucciones de instalación publicadas.
- Los reembolsos por los productos que no son reparables se limitan al precio pagado por la unidad conforme a la factura de venta.
- Esta garantía es intransferible. Esta garantía aplica solo al comprador original y no se extiende a cualquier propietario(s) subsecuente(s).

LIMITACIONES A LAS SOLUCIONES Y EXCLUSIONES:

La reparación del producto de acuerdo con los términos aquí indicados, es su única y exclusiva solución bajo esta garantía limitada. Cualquiera y todas las garantías implícitas, incluyendo la comercialización y la idoneidad para un propósito particular se limitan por medio de la presente a un año o al período más corto permitido por la ley. MC Appliance Corporation no es responsable por daños incidentales o emergentes y ningún representante o persona está autorizada para asumir por nuestra parte, ninguna otra responsabilidad en relación con la venta de este producto. Bajo ninguna circunstancia se le permite al consumidor devolver esta unidad a la fábrica sin la autorización previa por escrito suministrada por MC Appliance Corporation.

Algunos estados prohíben la exclusión o limitación de los daños incidentales o emergentes, o limitaciones en las garantías implícitas. Esta garantía le otorga derechos legales específicos y podría tener otros derechos que varían según el estado.

Modelo	Piezas	Mano de obra	Tipo de servicio
MCST255	Un año	Un año	Reparación en taller

Para servicio o asistencia por favor llame al **888-775-0202** o visítenos en el sitio web en www.mcappliance.com para solicitar servicio de garantía u ordenar piezas.



CNA International, Inc., opera bajo el nombre comercial de MC Appliance Corporation. Todos los derechos reservados. El logo de Magic Chef® es una marca registrada de CNA International, Inc.

www.mcappliance.com

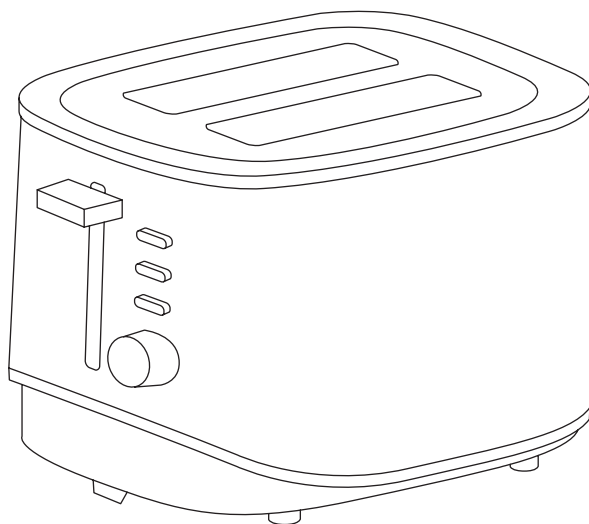
Impreso en China



Magic Chef®

Grille-pain à 2 tranches

Manuel d'utilisation



Modèle MCST2SS

VEILLEZ LIREZ ATTENTIVEMENT CE MANUEL AVANT D'UTILISER VOTRE GRILLE-PAIN ET CONSERVEZ-LE POUR RÉFÉRENCE FUTURE.



ENREGISTREMENT DU PRODUIT

Merci d'avoir acheté un produit Magic Chef®. La première étape pour protéger votre produit est de remplir l'enregistrement de votre produit sur notre site web à www.mcappliance.com/register. Les avantages d'enregistrer votre produit sont les suivants:

1. Enregistrer votre produit vous permet de nous contacter par rapport aux avertissements de sécurité et aux mises à jour sur le produit.
2. Enregistrer votre produit permettra un traitement plus efficace de l'entretien sous garantie lorsqu'un entretien est nécessaire.
3. Enregistrer votre produit pourrait être utilisé comme preuve d'achat dans le cas d'une réclamation d'assurance.

Une fois de plus, merci d'avoir acheté un produit Magic Chef®.

CONTENU

ENREGISTREMENT DU PRODUIT	26
INSTRUCTIONS IMPORTANTES DE SÉCURITÉ	28
SPÉCIFICATIONS	30
PIÈCES ET CARACTÉRISTIQUES	31
INSTRUCTIONS D'INSTALLATION	32
SOIN ET ENTRETIEN	34
GARANTIE LIMITÉE	35

INSTRUCTIONS IMPORTANTES DE SÉCURITÉ

Ce manuel contient les instructions de sécurité, d'installation et d'utilisation et les conseils pour la résolution des problèmes. Veuillez lire attentivement ce manuel sur les instructions d'utilisation et le bon entretien du produit avant d'utiliser votre grille-pain. Assurez-vous de respecter les mesures de sécurité pour éviter les blessures et les dommages au produit.

Conservez ce manuel. Lorsque vous léguez/vendez cet appareil à une autre partie, ce manuel devrait accompagner l'appareil.

Avant d'appeler l'entretien, assurez-vous que l'appareil est installé et utilisé correctement et lisez la section sur la résolution des problèmes.

▲ AVERTISSEMENT: Lorsque vous utilisez votre appareil, suivez les précautions énumérées ci-dessous :

▲ REMARQUE: Les spécifications peuvent changer à tout moment sans avertissement.

1. Lisez toutes les instructions avant l'utilisation.
2. Cet appareil est uniquement pour une utilisation domestique.
3. Cet appareil ne devrait pas être utilisé par une personne incapable de suivre des procédures de sécurité ou sans expérience avec ce type d'équipement, à moins d'être supervisé.
4. Gardez l'appareil et son fil d'alimentation hors de portée des enfants.
5. NE PAS laisser le fil d'alimentation pendre sur le côté d'une table ou d'un comptoir. TOUJOURS éloigner le fil d'alimentation des surfaces et des objets chauds.
6. NE PAS utiliser l'appareil sur le fil ou la prise est endommagé ou si l'appareil est endommagé ou fonctionne mal de quelque manière que ce soit.
7. Cet appareil sert uniquement à la cuisson.
8. NE PAS utiliser l'appareil ou manipuler la fiche avec des mains mouillées.
9. **▲ ATTENTION:** Lors de l'utilisation, les surfaces de métal du grille-pain peuvent devenir très chaudes. Faites attention lors de la manipulation.
10. TOUJOURS placer l'appareil sur une surface stable et résistante à la chaleur. NE PAS utiliser sur du tapis, de vinyle, de linge, etc.
11. NE PAS utiliser près ou sous des rideaux ou autre matériel combustible.
12. NE PAS adosser l'appareil à un mur.
13. NE PAS utiliser l'appareil pendant plus d'une heure sans lui permettre de refroidir.
14. Cet appareil n'est pas conçu pour être utilisé avec une minuterie externe ou un système à distance.
15. Le grille-pain est conçu pour une utilisation intérieure. NE PAS utiliser à l'extérieur.
16. TOUJOURS débrancher le grille-pain de la prise électrique et le laisser se refroidir avant de le nettoyer.
17. NE PAS submerger aucune partie de l'appareil dans de l'eau ou tout autre liquide.
18. Essuyez l'extérieur avec un linge propre et humide et enlevez le ramasse-miettes pour le nettoyer. NE PAS toucher aux éléments chauffants intérieurs pendant le nettoyage et l'entretien.
19. **▲ AVERTISSEMENT:** Si vous grillez des tranches de pain de moins de 85 mm (3-1/2") de hauteur, faites attention avant d'enlever la tranche du grille-pain et rappelez-vous que les parties intérieures et les surfaces extérieures peuvent être potentiellement brûlantes.
20. **▲ ATTENTION:** Lorsque vous grillez des pâtisseries, le remplissage peut devenir très chaud avant que la surface ne grille.

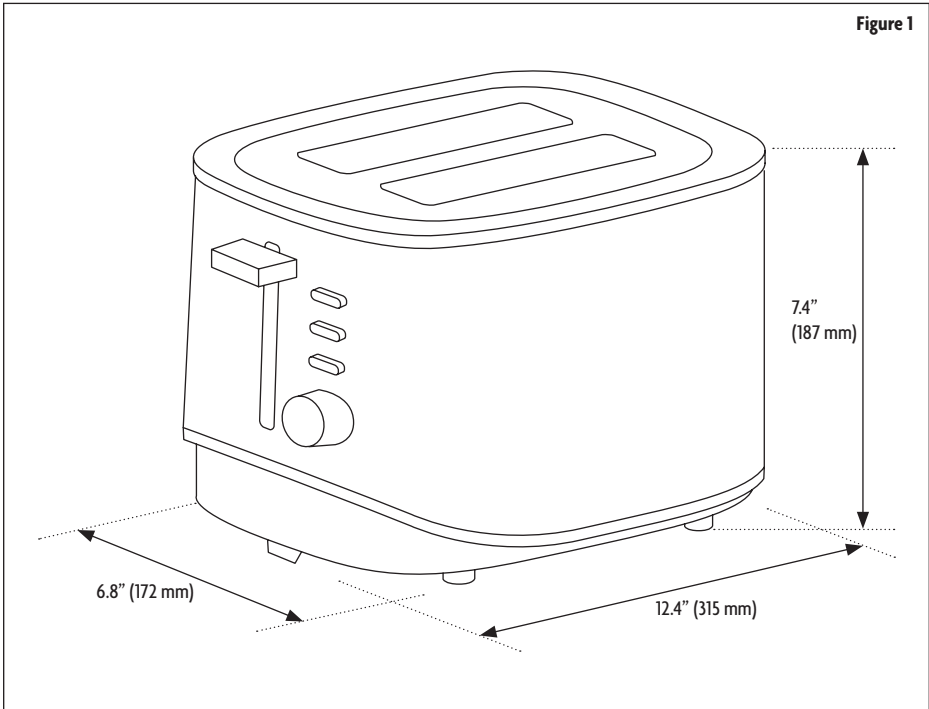
21. **▲ ATTENTION:** NE PAS modifier, désassembler ou tenter de réparer l'appareil. Il n'y a pas de pièces à entretenir par l'utilisateur.
22. L'utilisation d'accessoires qui ne sont pas recommandés par le fabricant peut occasionner des blessures.
23. NE PAS placer sur ou près d'un brûleur chaud ou toute autre source de chaleur ou un four chauffé.
24. Pour débrancher, tourner toute commande sur "off", puis retirer la fiche de la prise murale.
25. NE PAS insérer des aliments surdimensionnés, des emballages en feuilles de métal ou des ustensiles dans le grille-pain pour éviter tout incendie ou choc électrique.
26. Des incendies peuvent se produire si le grille-pain est couvert ou touche des matériaux inflammables, y compris des rideaux, des rideaux, des murs ou des articles similaires lors de l'utilisation.
27. NE PAS essayer de déloger les aliments lorsque le grille-pain est branché.
28. NE PAS laisser l'appareil sans surveillance pendant qu'il est utilisé.
29. Lorsque vous chauffez des pâtisseries dans le grille-pain, utilisez toujours le réglage de toast le plus léger.
30. Pour réduire le risque de décharges électriques, cet appareil possède une fiche polarisée (une dent est plus large que l'autre). Cette prise est destinée à s'adapter à une sortie polarisée d'une manière unique. Si la fiche ne rentre pas complètement dans la prise, inversez la fiche. Si elle ne s'insère toujours pas, essayez une autre prise ou contactez un électricien. NE PAS essayer de modifier la fiche de quelque façon que ce soit.

▲ REMARQUE: Un fil d'alimentation court est fourni pour réduire le risque d'empêtrement ou de trébuchage d'un long fil d'alimentation. Des rallonges sont disponibles et peuvent être utilisées si elles le sont avec soin. La puissance électrique de la rallonge devrait être au moins égale ou supérieure à la puissance électrique de l'appareil. Le fil le plus long devrait être arrangé pour qu'il ne s'étende pas sur le comptoir ou la table où il peut être tiré par un enfant ou faire trébucher.

**LISEZ ET SUIVEZ ATTENTIVEMENT
CES INFORMATIONS DE SÉCURITÉ
CONSERVEZ CES INSTRUCTIONS**

SPÉCIFICATIONS

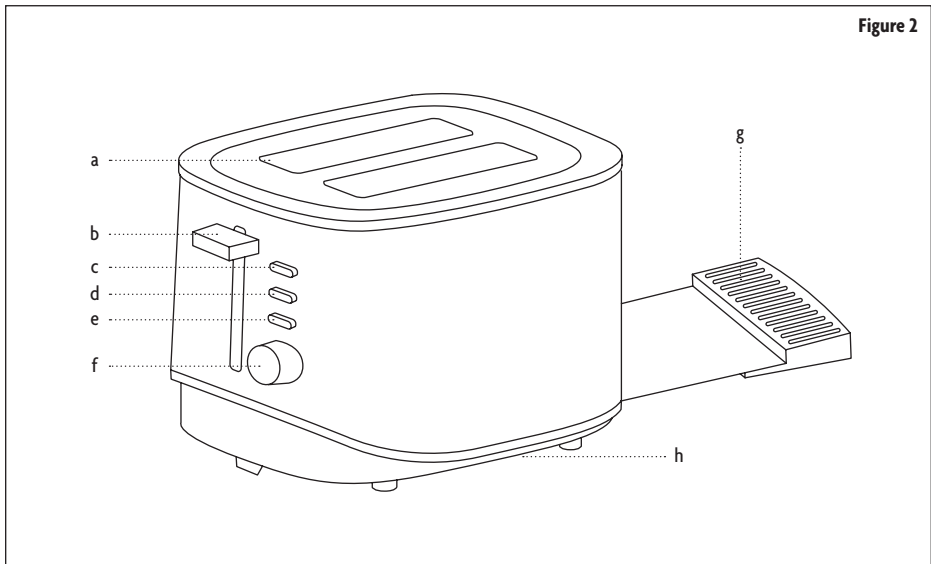
Figure 1



Dimensions (H x L x l)	6.8" x 7.4" x 12.4" (172 mm x 187 mm x 315 mm)
Capacité	2 tranches
Alimentation électrique	120V - 60Hz
Puissance	770 Watts

PIÈCES ET CARACTÉRISTIQUES

Figure 2



- a. Fentes à pain : 2 tranches de pain peuvent être rôties.
- b. Levier du grille-pain : Démarrer le grille-pain et déplacer le support à pain pour soulever ou abaisser les tranches de pain.
- c. Bouton d'annulation : Arrête le processus.
- d. Bouton de réchauffage / dégivrage:
 - Réchauffage: Réchauffe sans brunissement. Les témoins s'allument en rouge lorsque sélectionné.
 - Décongélation: Décongeler et faire griller du pain surgelé. Les témoins s'allument en vert lorsque sélectionné
- e. Bouton Bagel: Pour griller des bagels.
- f. Sélecteur clair/foncé : Sélectionnez la couleur désirée, de clair à foncé.
- g. Ramasse-miettes : Le plateau s'enlève facilement pour nettoyer les miettes sous le grille-pain.
- h. Placer le fil d'alimentation : Cachez tout fil excédentaire et gardez le comptoir dégagé.

INSTRUCTIONS D'UTILISATION

Avant la première utilisation, enlevez tout le matériel d'emballage. Assurez-vous que tout emballage à l'intérieur du grille-pain soit enlevé.

▲ REMARQUE: Démarrez le grille-pain à vide la première fois et laissez la poussière qui peut être accumulée sur les éléments chauffants se brûler.

1. Assurez-vous que le ramasse-miettes est en place et que le levier du grille-pain est en position debout.
2. Placez le grille-pain sur une surface plane, de niveau et éloigné du mur.
3. Déroulez le fil d'alimentation et insérez la fiche dans une prise correctement installée.
4. Insérez les tranches de pain.
5. Tournez le sélecteur clair/foncé à la position souhaitée entre 1 (clair) et 7 (foncé) sur le bouton de contrôle.
6. Descendez le levier pour le grillage.
7. Débranchez le grille-pain lorsque vous avez terminé.

▲ REMARQUE: Appuyez sur "CANCEL" pour annuler le réglage du mode.

NOTES SUR LE GRILLAGE

Griller est une combinaison entre cuire et sécher le pain, des niveaux différents d'humidité d'un type de pain à l'autre peuvent faire varier le temps de cuisson.

Préchauffer avant l'utilisation n'est pas nécessaire. Lorsque vous l'utilisez pour la première fois, ne placez pas de pain dans le grille-pain. Une légère fumée ou une odeur de brûlé peut provenir de l'appareil, ce qui est normal.

- Pour des pains plus secs, utilisez une cuisson plus claire.
- Pour des pains frais ou de blé entier, utilisez une cuisson plus foncée que la normale.
- Les pains avec des surfaces inégales (comme les muffins anglais) nécessitent une cuisson plus foncée.
- Des tranches de pain plus épaisses prennent plus de temps à cuire et peuvent nécessiter 2 cycles de cuisson.
- Lors de la cuisson de pain aux raisins ou autres pains aux fruits, enlevez les raisins lâches en surface avant d'insérer le pain dans le grille-pain. Ceci évitera que des morceaux tombent ou se collent au treillis de métal dans la fente du grille-pain.
- Si vous ne faites cuire qu'une tranche de pain, choisissez une cuisson plus claire que la normale. Le grille-pain est conçu pour chauffer toute la chambre des deux fentes, il grillera donc une tranche plus rapidement.
- Les pains gelés, les gaufres, les crêpes et le pain doré devraient être réchauffés avec le bouton décongélation.

▲ ATTENTION: Lorsque vous grillez des pâtisseries, le remplissage peut devenir très chaud avant que la surface ne grille.

BOUTON DE DEGIVRAGE / RÉCHAUFFAGE

Le bouton de dégivrage / réchauffage est conçu pour dégeler et griller le pain ou le réchauffer. Appuyez une fois pour Réchauffage, et de nouveau pour le dégivrage.

Lors du dégivrage, tourner le sélecteur de lumière / fonction à la position désirée:

- Choix 1-2 : pour les pains réfrigérés et les objets congelés plus minces comme les crêpes congelées.
- Choix 3-4 : pour les pâtisseries, les gaufres congelées et le pain doré mince.

- Choix 5-7 : pour les objets congelés plus épais comme le pain coupé à la main et le pain doré épais.

BOUTON DE BAGEL

Le bouton Bagel est utilisé pour le chauffage des bagels, en chauffant uniquement l'ensemble extérieur des éléments.

SOIN ET ENTRETIEN

1. Débranchez toujours le grille-pain de la prise électrique et laissez-le se refroidir avant de le nettoyer.
2. Ne pas utiliser de nettoyants abrasifs. Essuyez l'extérieur avec un linge propre et humide et polissez avec un linge sec doux. Mettez le nettoyant sur le linge et non directement sur le grille-pain.
3. Pour enlever les miettes, tirez sur le ramasse-miette et jetez les miettes. Essuyez le ramasse-miettes et remplacez-le. Ne jamais utiliser le grille-pain lorsque le ramasse-miettes n'est pas en place.
4. Pour enlever les miettes dans le grille-pain, placez le grille-pain à l'envers et brassez-le légèrement. Ne jamais insérer quelque chose dans les fentes qui pourraient endommager le grille-pain et créer un danger.
5. Ne jamais enrouler le fil d'alimentation autour du grille-pain, utilisez l'ouverture pour entreposer la corde sous le grille-pain.



GARANTIE LIMITÉE

MC appliance corporation garantit que toutes les nouvelles Grille-pain ne présentent aucun défaut matériel ou de main-d'oeuvre et accepte de remédier à ces défauts ou de fournir des nouvelles pièce(s), à la discrétion de la compagnie, pour toute pièce(s) de l'appareil qui fait défaut durant la période de garantie. Les pièces et la main-d'oeuvre de cet appareil sont garanties pendant une période d'un an depuis la date d'achat. Une copie avec la date du reçu de vente ou de la facture est nécessaire pour recevoir un remplacement, un remboursement ou la réparation sous garantie.

Cette garantie s'applique aux appareils utilisés aux États-Unis contigus, Alaska, Hawaii et Puerto Rico. Cette garantie ne s'applique pas aux cas suivants :

- Les dommages causés par la manutention ou une mauvaise installation.
- Les dommages dus à une mauvaise utilisation ou une utilisation abusive.
- La perte de contenu dû à une défaillance de l'appareil.
- Les réparations faites par un agent non autorisé.
- Les appels de services qui ne concernent pas les défauts de matériel ou de main-d'oeuvre comme des instructions sur l'installation appropriée de ce produit ou sa mauvaise installation.
- Le remplacement ou le réarmage d'un disjoncteur ou de fusibles.
- La défaillance du produit s'il est utilisé pour d'autres raisons que sa raison de conception.
- Les couts de récupération de tout appareil défectueux qui n'est pas renvoyé à l'usine.
- Tous les couts d'installation/de livraison encourus par un appareil qui ne fonctionne pas selon les spécifications.
- Les dépenses de transport ou manutention pour la réparation si votre produit est situé dans une zone éloignée où les services d'un technicien autorisé ne sont pas disponibles.
- Enlever ou réinstaller votre appareil s'il est installé dans un endroit inaccessible ou s'il n'est pas installé selon les instructions d'installation publiées.
- Les remboursements pour les produits non réparables se limitent au prix payé pour l'appareil sur le reçu de vente.
- Cette garantie n'est pas transférable. Cette garantie ne s'applique qu'à propriétaire original et ne s'étend pas au propriétaire(s) subséquent(s).

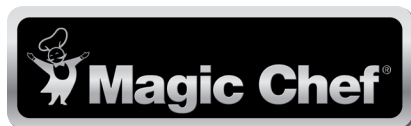
LIMITES DES RECOURS ET EXCLUSIONS:

La réparation du produit selon les termes ci-inclus est votre seul recours durant la garantie limitée. Toutes garanties implicites incluant la qualité marchande et la bonne condition pour une utilisation particulière sont, par la présente, limitées à un an ou la plus courte période permise par la loi. MC Appliance Corporation n'est pas responsable des dommages accidentels ou consécutifs et aucun représentant ou personne n'est autorisé à assumer en notre nom toute autre responsabilité en lien avec la vente de ce produit. En aucun cas le consommateur n'est-il autorisé à retourner cet appareil à l'usine sans autorisation préalable de MC Appliance Corporation.

Certains États interdisent les exclusions ou limites sur les dommages accidentels ou consécutifs ou les limites sur les garanties implicites. Cette garantie vous donne des droits légaux spécifiques et vous pourriez avoir d'autres droits qui peuvent varier d'un État à l'autre.

Modèle	Pièces	Main-d'oeuvre	Type de service
MCST2SS	Un an	Un an	Retour

Pour de l'aide ou du service, veuillez appelez **888-775-0202** ou visitez notre site web au **www.mcpliance.com** pour demander une réparation sous garantie ou commander des pièces.



**CNA International, Inc. d/b/a MC Appliance Corporation. Tous droits réservés.
Le logotype Magic Chef® est une marque de commerciale de CNA International Inc.**

www.mcappliance.com

Imprimé en Chine