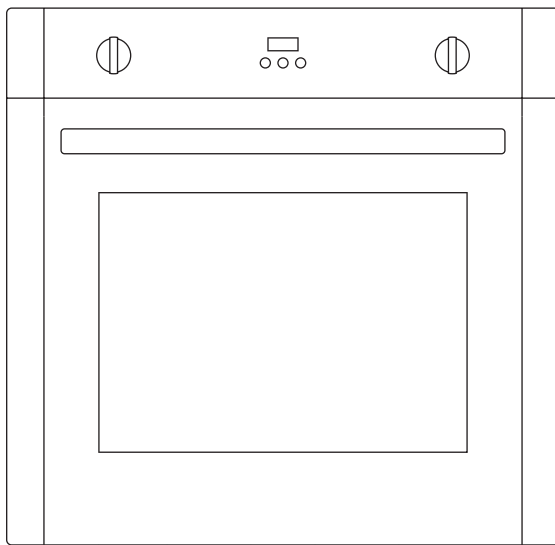




# 24-Inch Built-In Wall Oven

*User's Manual*



Model MCSWOE24S

**PLEASE READ THIS MANUAL CAREFULLY BEFORE USING YOUR WALL OVEN AND KEEP IT FOR FUTURE REFERENCE.**



## PRODUCT REGISTRATION

Thank you for purchasing this Magic Chef® product. The first step to protect your new product is to complete the product registration on our website: [www.mcappliance.com/register](http://www.mcappliance.com/register). The benefits of registering your product include the following:

1. Registering your product will allow us to contact you regarding a safety notification or product update.
2. Registering your product will allow for more efficient warranty service processing when warranty service is required.
3. Registering your product could act as your proof of purchase in the event of insurance loss.

Once again, thank you for purchasing this Magic Chef product.

# CONTENTS

PRODUCT REGISTRATION .....	2
PRECAUTIONS .....	4
IMPORTANT SAFETY INSTRUCTIONS .....	5
SPECIFICATIONS.....	7
PARTS AND FEATURES .....	8
INSTALLATION INSTRUCTIONS .....	9
BEFORE USE .....	13
OPERATION INSTRUCTIONS.....	14
CARE AND MAINTENANCE.....	18
TROUBLESHOOTING.....	21
LIMITED WARRANTY .....	22

# PRECAUTIONS

## EXPLANATION OF SYMBOLS

### **▲ WARNING**

Hazards or unsafe practices which COULD result in severe personal injury or death.

### **▲ CAUTION**

Hazards or unsafe practices which COULD result in minor personal injury.

**▲ WARNING:** Read and understand all safety precautions. Failure to follow all instructions described in this user manual may result in electric shock, fire and/or serious personal injury. The warnings, cautions and instructions discussed in this user manual cannot cover all possible conditions and situations that may occur.

# IMPORTANT SAFETY INSTRUCTIONS

**▲ WARNING:** When properly cared for, your wall oven has been designed to be safe and reliable. Read all instructions carefully before use. These precautions will reduce the risk of burns, electric shock, fire and injury to people. When using this kitchen appliance, basic safety precautions must be followed; including those in the following pages.

## PROPER INSTALLATION AND MAINTENANCE

**▲ IMPORTANT:** Save this manual for the local electrical inspectors use.

- Have the installer show you the location of the circuit breaker or fuse. Mark it for easy reference.
- Be sure your appliance is properly installed and grounded by a qualified service personnel. Connect only to a properly grounded outlet. (Refer to "Installation Instructions" on page 9 for details.)
- This appliance is intended for normal family household use only. It is not approved for outdoor use. If you have any questions, contact the manufacturer.
- DO NOT store or use corrosive chemicals, vapors, flammables or nonfood products in or near this appliance. It is specifically designed for use when heating or cooking food. The use of corrosive chemicals in heating or cleaning will damage the appliance and could result in injury.
- DO NOT operate this appliance if it is not working properly, or if it has been damaged. Contact an qualified service personnel.
- DO NOT obstruct oven vents.
- DO NOT repair or replace any part of the appliance, unless specifically recommended in this manual. Refer all servicing of this appliance to a qualified service personnel.

## FIRE SAFETY

- DO NOT use aluminum foil or protective liners to line any part of the appliance, especially the oven bottom. Installing these liners may result in risk of electric shock or fire.
- If materials inside an oven should ignite, keep door closed. Turn off the appliance and disconnect the circuit at the circuit breaker box.
- Use this appliance only for its intended purpose as described in this manual. For example, NEVER use the appliance for warming or heating the room. NEVER use the appliance for storage.
- ALWAYS have a working smoke detector near the kitchen.
- In the event that personal clothing or hair catches fire, drop and roll immediately to extinguish flames. Smother flames from food fires other than grease fires with baking soda.
- Have an appropriate fire extinguisher available, nearby, highly visible and easily accessible near the oven.

**▲ WARNING:** To reduce the risk of personal injury in the event of a grease fire, observe the following.

- Smother flames with a close-fitting lid, cookie sheet, or metal tray, then turn off the burner. Exercise caution to prevent burns. If the flames do not go out immediately, evacuate and call the fire department.
- NEVER pick up a flaming pan. You may be burned.
- DO NOT use water on grease fires.
- Smother the fire or flame. Or use dry chemical or foam-type extinguishers.

- Use an extinguisher **ONLY** if:
  - 1) You know you have a Class ABC extinguisher, and you already know how to operate it.
  - 2) The fire is small and contained in the area where it started.
  - 3) The fire department is being called.
  - 4) You can fight the fire with your back to an exit.

## BURN PREVENTION

- **DO NOT** touch heating elements or interior surfaces of oven. Heating elements may be hot even though they are dark in color. Interior surfaces of an oven become hot enough to cause burns. During and after use, **DO NOT** touch, or let clothing, potholders, or other flammable materials contact heating elements or interior surfaces of oven until they have had sufficient time to cool. Other surfaces of the appliance may become hot enough to cause burns. Among these surfaces are oven vent openings, surfaces near these openings and oven doors.
- Exercise caution when opening the appliance. Standing to the side, open the door slowly and slightly to let hot air and/or steam escape. Keep your face clear of the opening and make sure there are no children or pets near the unit. After the release of hot air and/or steam, proceed with your cooking. Keep doors shut unless necessary for cooking or cleaning purposes. **DO NOT** leave open doors unattended.
- **DO NOT** heat or warm unopened food containers. Build-up of pressure may cause the container to burst and cause injury.
- **ALWAYS** place oven racks in desired location while oven is cool. If a rack must be moved while oven is hot, **DO NOT** let potholder contact the heating elements.
- **ALWAYS** use dry potholders. Moist or damp potholders on hot surfaces may result in burns from steam. **DO NOT** let potholder touch hot heating elements. **DO NOT** use a towel or other bulky cloth.
- Secure all loose garments before beginning. Tie long hair so that it does not hang loose, and **DO NOT** wear loose fitting clothing or hanging garments, such as ties, scarves, jewelry, or dangling sleeves.

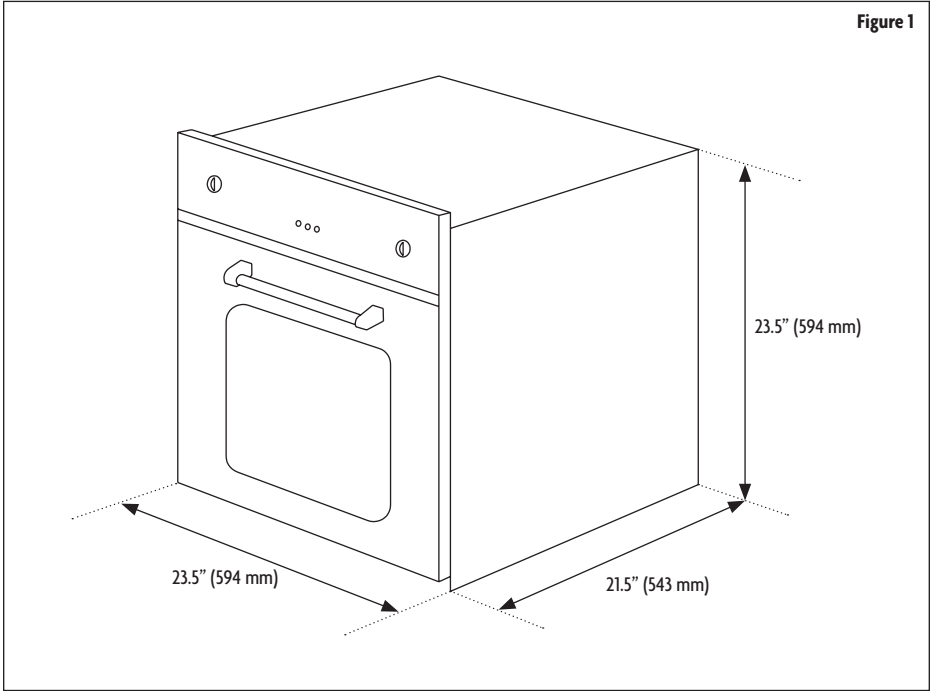
## CHILD SAFETY

- When children become old enough to use the appliance, it is the legal responsibility of the parents or legal guardians to ensure that they are instructed in safe operation of the appliance by qualified persons.
- **DO NOT** allow anyone to climb, stand, lean, sit, or hang on any part of the appliance, especially a door, warming drawer or storage drawer. This can damage the appliance, and the unit may tip over, potentially causing severe injury.
- **DO NOT** allow children to use this appliance unless closely supervised by an adult. Children and pets should not be left alone or unattended in the area where the appliance is in use. They should **NEVER** be allowed to play in its vicinity, whether or not the appliance is in use.
- Items of interest to children should **NOT** be stored in an appliance, in cabinets above an appliance or on the backsplash. Children climbing on an appliance to reach items could be potentially cause serious injury.

**SAVE THESE INSTRUCTIONS  
FOR FUTURE REFERENCE**

# SPECIFICATIONS

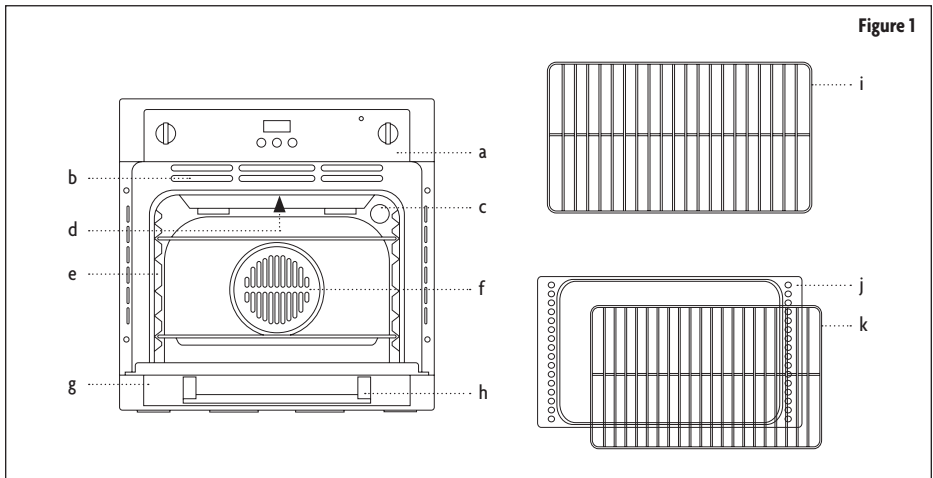
Figure 1



Height	23.5" (594 mm)
Width	23.5" (594 mm)
Depth	21.5" (543 mm)
Weight	72 lbs. (32.5 kg)
Power Supply	240 V / 60 Hz
Capacity	2.2 Cu. Ft.
Rated Power	2300 W

# PARTS AND FEATURES

## PRODUCT PARTS & ACCESSORIES



- |                                |                                       |                     |
|--------------------------------|---------------------------------------|---------------------|
| a. Control Panel               | e. Rack Position Guide                | i. Oven Rack (2)    |
| b. Cooling Vents               | f. Convection Fan and Heating Element | j. Broiler Pan      |
| c. Oven Interior Light         | g. Oven Door                          | k. Broiler Pan Rack |
| d. Top Central Heating Element | h. Door Handle                        |                     |



# INSTALLATION INSTRUCTIONS

**▲ WARNING:** Only a qualified service personnel in compliance with the instructions provided must install the appliance. The manufacturer declines all responsibility for improper installation, which may harm persons and animals and damage property.

## LOCATION REQUIREMENTS

In order to ensure that the built-in appliance functions properly, the cabinet containing it must be appropriate. The figures below and the next page give the dimensions of the cut-out for installation in a wall cabinet unit or under the counter. (Refer to Figure 2 and 3.)

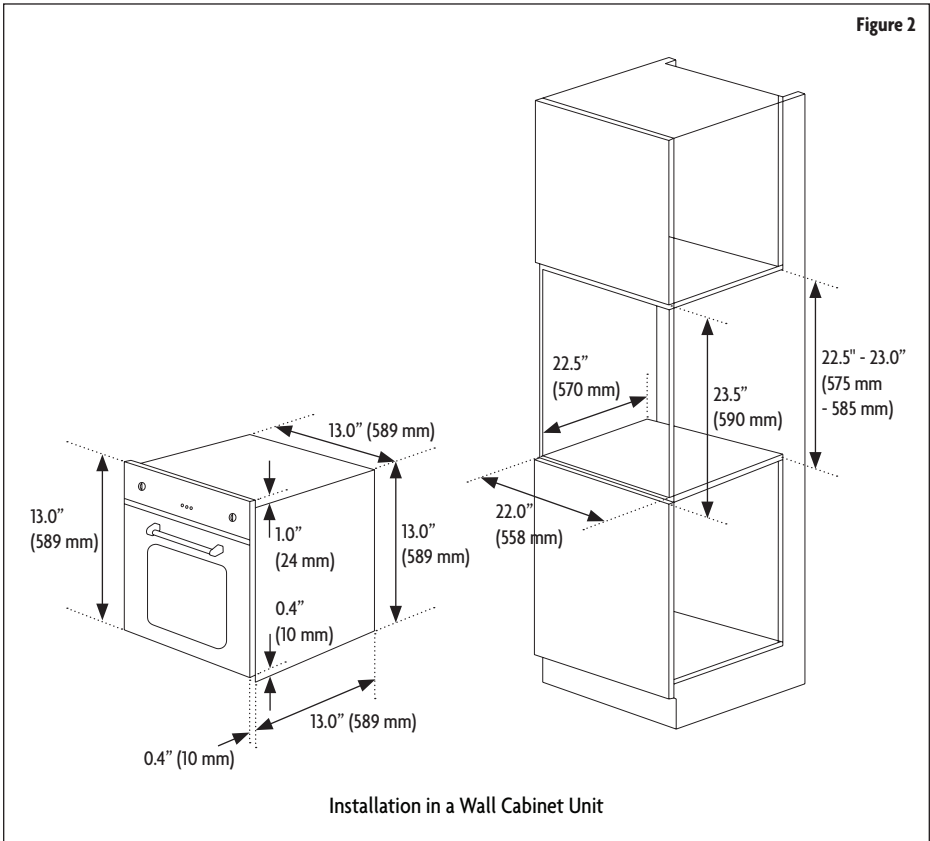
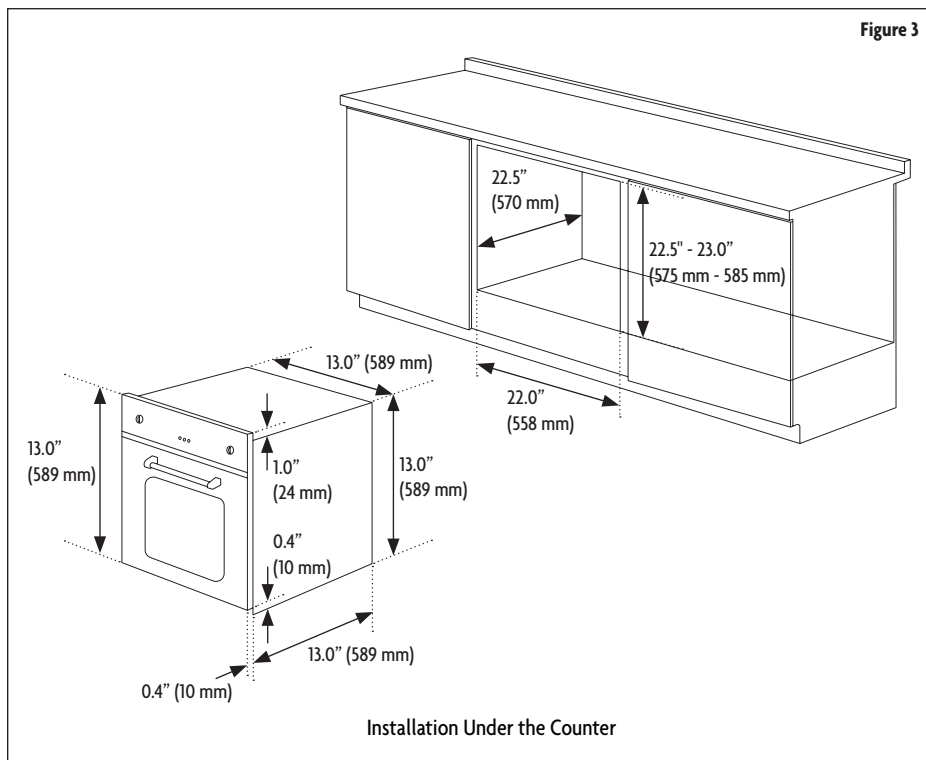
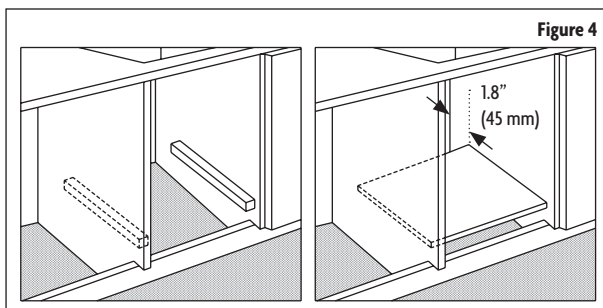


Figure 3



**▲ IMPORTANT:** Installation must be in compliance with the consumption declaration. In order to ensure adequate ventilation, the back panel of the cabinet unit must be removed. Installing the oven so that it rests on two strips of wood is preferable. If the oven rests on a continuous, flat surface, there must be an aperture of at least  $1\frac{3}{4} \times 22$ " (45 x 560mm). (Refer to Figure 4.)



- The panels of the adjacent cabinets must be made of heat-resistant material. In particular, cabinets with a veneer exterior must be assembled with glues which can withstand temperatures of up to 212°F.
- In compliance with current safety standards, contact with the electrical parts of the oven must not be possible once it has been installed.
- All parts, which ensure the safe operation of the appliance, must be removable only with the aid of a tool.
- To fasten the oven to the cabinet, open the door of the oven and attach it by inserting the 4 wooden screws into the 4 holes located on the perimeter of the frame.

## ELECTRICAL REQUIREMENTS

### ▲ **WARNING:** Electrical Shock Hazard

- DO NOT use an extension cord.
- Failure to follow these instructions can result in death, fire, or electrical shock.
- Any additions, changes or conversions required in order for this appliance to satisfactorily meet the application needs must be made by a qualified service personnel in accordance with the manufacturer's instructions and all codes and requirements of the authority having jurisdiction. Failure to follow the instructions could result in serious injury or property damage. The qualified service personnel performing this work assumes responsibility for the conversion.
- This appliance needs to be installed directly to the main (without a plug). To do so, follow instructions in the "Three-Wire Connection" section on page 12. If you wish to install this appliance directly to the main (without a plug), it must be installed by a qualified service personnel.
- DO NOT operate this appliance using a 2-prong adapter or an extension cord. If a 2-prong wall receptacle is the only available outlet, it is the personal responsibility of the consumer to have it replaced with a properly grounded 3-prong or 4-prong wall receptacle installed by a qualified service personnel. Severe shock or damage to the range may occur if the range is not installed by a qualified service personnel.
- This appliance features a pilotless electric ignition for energy savings and reliability. It operates on a 208-240V/50-60Hz 12-15 Amp power supply.
- A separate circuit, protected by a 15 amp time delay fuse or circuit breaker, is required.
- For personal safety, the appliance must be properly grounded.

## ELECTRICAL INSTALLATION

▲ **WARNING:** It is the responsibility and obligation of the consumer to contact a qualified service personnel to ensure the electrical installation is adequate and conformance with all local codes and ordinances.

▲ **IMPORTANT:** The power supply to the appliance must be cut off before any adjustments or maintenance work is done on it. Air duct is supposed to use in ventilation.

This oven is dual rated, designed to be connected to either 208/240V AC, 60Hz, 3-wire, two-phase power supply.

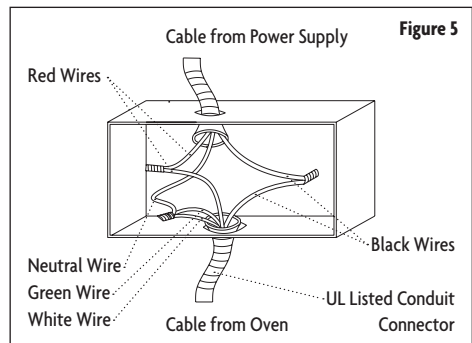
The electrical supply should be 3-wire two-phase AC. Install a suitable conduit box (not furnished). An appropriately-sized, U-listed conduit connector must be used to correctly attach the conduit to the junction box.

CIRCUIT REQUIRED	
208V, 60Hz	240V,60Hz
12 AMP	15 AMP

## 3-WIRE BRANCH CIRCUIT

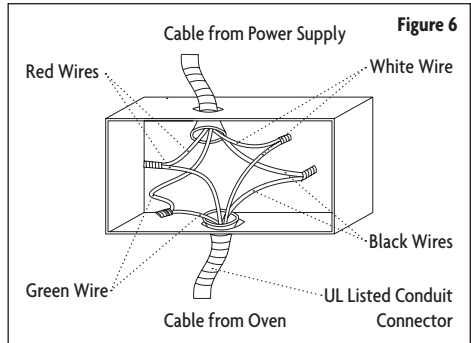
Where local codes allow the connection of green ground wire from the oven to the branch circuit white neutral wire:

- If local codes permit, connect the green ground wire from the oven and the white neutral wire from the oven to the branch circuit neutral wire (gray or white colored wire).
- Connect the red and black wires from the oven to the corresponding wires in the junction box.
- Refer to Figure 5.



## 4-WIRE BRANCH CIRCUIT

- Disconnect ground from neutral at free end of conduit.
- Connect the green ground wire from the oven to the bare or green ground wire in the junction box.
- Connect the red and black wires from the oven to the corresponding wires in the junction box.
- Connect the white wire from the oven to the white neutral wire in the junction box.



# BEFORE USE

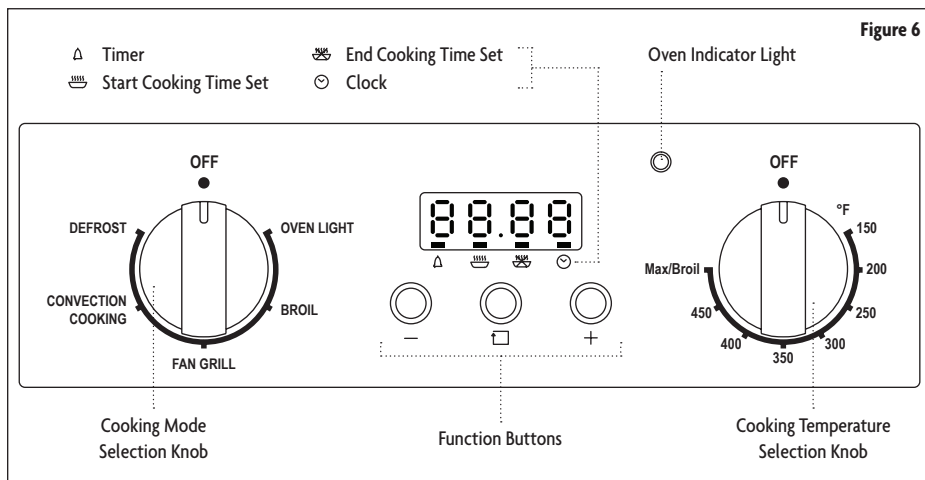
This multi-function oven combines the advantages of traditional convection ovens with those of the more modern fan assisted models in a single appliance. It is an extremely versatile appliance that allows you to choose easily and safely between different cooking modes.

**▲ IMPORTANT:** The first time you use your appliance, we recommend that set the thermostat to the highest setting and leave the oven on for about half an hour with nothing in it, with the oven door shut. Then open the oven door and let the room air in. The odor that is often detected during this initial use is due to the evaporation of substances used to protect the oven during storage and until it is installed.

**▲ IMPORTANT:** Place the dripping pan provided on the bottom shelf of the oven to prevent any sauce and/or grease from dripping onto the bottom of the oven only when grilling food.

- For all other types of cooking, NEVER use the bottom shelf and NEVER place anything on the bottom of the oven when it is in operation because this could damage the enamel.
- ALWAYS place your cookware (dishes, aluminum foil, etc.) on the grid provided with the appliance inserted especially along the oven guides.

# OPERATION INSTRUCTIONS



## COOKING MODES

- **Oven Light:** Turns the oven light on when selected.
- **Broil:** Best for melting cheese, toasting and browning. For optimal results, use in conjunction with the Broil temperature setting.
- **Fan Grill:** Utilizes a high heat grilling element and fan to circulate hot air throughout the oven. Ideal for cooking large cuts of meats so that they are moist inside and crisp on the outside. Use a thermometer to check the internal temperature. It is recommended to set the temperature no higher than 400°F.
- **Convection Cooking:** Utilizes the powerful heating element surrounding the fan to evenly distribute heat throughout the oven. This is great for multi-shelf cooking because the fan ensures each rack is heated.
- **Defrost:** Circulates air at room temperature to defrost food. For foods such as meat, fish, and bread, Convection Cooking Mode, set between 175°-225°F, can be used to accelerate the Defrosting process.

## DIGITAL CLOCK

1. Once the oven is connected to electrical power, the clock display will show "12:00" with the "■" symbol above "⌚". (Refer to Figure 6.)
2. Press the "+" or "-" button to increase or decrease the number until it reaches the right time.
3. After 5 seconds the clock will start automatically or you can press the "□" button to make it work.

## TIMER

### Kitchen Timer Setting

1. Press the "□" button repeatedly until the "■" symbol above "Δ" flashes.
2. Press "+" or "-" button until the time you wish shows on the display. The longest cooking time that can be set is 23 hours and 59 minutes.

3. After setting the proper time (hour/minute), the "■" symbol above the "△" begins to flash.
4. The time countdown begins.
5. When it reaches the set time, the "■" symbol above the "△" flashes, and the alarm will ring.
6. To stop the alarm ringing, press any button.

**▲ NOTE:** This setting does not control the oven.

**▲ IMPORTANT:**

- The setting must be carried out in 5 seconds.
- If electricity fails suddenly, all the set procedure and the proper clock time (hour/minute) will disappear.
- After electrical power is on again, "12:00" and the "■" symbol above "☺" will show on the display, you will need to set it again.

Full Automatic Timer Setting

1. Press the "□" button repeatedly until the "■" symbol above the "☺" flashes, and press "+" or "-" button to set how long oven needs to cook.
2. Press the "□" button repeatedly until the "■" symbol above the "☺" flashes, and press "+" or "-" button to set the time for the oven to stop cooking and switch off.
3. Adjust knobs to select cooking mode and temperature.
4. The "■" symbols above the "☺" and "☺" will flash. It indicates the cooking timer has been set. The cooking will start and finish as per programmed into the timer.

For example, if the food is required to bake for 45 minutes, and it is supposed to stop at "2:00":

1. Press the "□" button repeatedly until the "■" symbol above "☺" flashes, and set the time of baking to 45 minutes.
2. Press the function button repeatedly until the "■" symbol above "☺" flashed, and set the finish of baking at "2:00".
3. The proper time (hour/minute) and the "■" symbol will show on the display. It indicates the setting of cooking timer has been set.
4. When the clock shows "1:15", the oven will switch on automatically and cooking will start.
5. During the cooking time, the "■" symbol will keep flashing.
6. When the clock shows "2:00", cooking will stop and the oven will switch off automatically, the alarm will ring, and the "■" symbol will flash.
7. To stop the alarm ringing, press any button.

Semi-Automatic Timer Setting

- A. Setting Timer for How Long to Cook
  1. Longest time that can be set is 10 hours maximum.
  2. Press the "□" button repeatedly until the "■" symbol above "☺" flashes. Press "+" or "-" button and set the timer for how long the oven needs to cook.
  3. Adjust knobs to select cooking mode and temperature.
  4. When the full amount of time set has passed, the cooking will stop and the oven will switch off automatically.
  5. The "■" symbol above "☺" will flash and the alarm will ring.
  6. To stop the alarm ringing, press any button.

## B. Setting timer with the end time of cooking

1. Longest time that can be set is 23 hours and 59 minutes.
2. Press the "□" button repeatedly until the "■" symbol above "🔥" flashes. Press "+" or "-" button and set the time for oven to stop cooking.
3. Immediately adjust knobs to select cooking mode and temperature.
4. When it reaches the time set, cooking will stop and the oven will switch off automatically.
5. The "■" symbol above "🔥" flashes, and the alarm will ring.
6. To stop the alarm ringing, press any button.

**▲ NOTE:** The set timer procedure could be seen by pressing any function button repeatedly at any time.

**▲ NOTE:** By adjusting the end time of cooking to the current time, the set timer procedure can be cancelled.

## PRACTICAL COOKING ADVICE

### Broil

1. Position temperature knob between 150°F and Max/Broil.
2. The top central heating element will come on.
3. The extremely high and direct temperature of the heating element makes it possible to brown the surface of meats and roasts while locking the juices in to keep them tender.
4. The "Broil" mode is also highly recommended for dishes that require a high temperature on the surface like beef steaks, veal, rib steak, filets, and hamburgers.

### Fan Grill

1. Position temperature knob between 150°F and 400°F.
2. The top central heating element and fan will come on.
3. This combination of features increases the effectiveness of the unidirectional thermal radiation of the heating element through forced circulation of the air throughout the oven.
4. This helps prevent food from burning on the surface, allowing the heat to penetrate right into the food.
5. Excellent results are achieved with kebabs made with meats and vegetables, sausages, ribs lamb chops, chicken in a spicy sauce, quail, and pork chops.
6. The "Fan Grill" mode is also ideal for cooking fish steaks like swordfish and stuffed cuttlefish.

### Convection Cooking

1. Position temperature knob between 150°F and 475°F.
2. The rear heating element and fan will come on, guaranteeing delicate heat distributed uniformly throughout the oven.
3. The "Convection Cooking" mode is also ideal for baking and cooking delicate foods, especially cakes that need to rise and for the preparation of certain tartlets on 3 shelves at the same time. Here are a few examples: cream puffs, sweet and savory biscuits, savory puffs, Swiss rolls and small portions of vegetables au gratin.

### Defrost

1. Position temperature knob to any temperature.



2. The fan in the oven will circulate the air at room temperature around the food.
3. This is recommended for defrosting of any type of food, but in particular for delicate types of food which do not require heat, such as ice cream cakes, cream or custard desserts, and fruitcakes.
4. By using the fan, the defrosting time is approximately halved. In case of meat, fish and bread, it is possible to accelerate the process using the “Convection Cooking” and setting the temperature between 175°F and 225°F.

#### Cooling Ventilation

In order to cool down the exterior of the appliance, this model is equipped with a cooling fan, which comes on automatically when the oven is hot. When the fan is on, a normal flow of air can be heard exiting between the oven door and the control panel.

**▲ NOTE:** When cooking is done, the fan stays on until the oven cools down sufficiently.

# CARE AND MAINTENANCE

## CLEANING

**▲ WARNING:** To avoid the risk of electric shock, ALWAYS ensure the appliance is turned off and completely cool before cleaning or doing any sort of maintenance.

**▲ CAUTION:**

- To avoid possible burns, use care when cleaning the appliance.
- DO NOT attempt to clean the appliance whenever the oven or burner heads are still hot.
- To avoid possible burns, DO NOT attempt any of the following cleaning instructions before turning off all of the surface burners and allowing them to cool.

**▲ NOTE:** ALWAYS follow label instructions on cleaning products.

### Control Knobs

- For general cleaning, use hot, soapy water and a cloth.
- For more difficult soils and built-up grease, apply a liquid detergent directly onto the soil. Rinse with a damp cloth and dry.
- DO NOT use steel wool or acidic cleaners on the knobs as they can scratch.

### Stainless Steel Exterior

- Clean stainless steel with hot, soapy water and a dishcloth. Rinse with clean water and a cloth.
- DO NOT use cleaners with high concentrations of chlorides or chlorines. DO NOT use harsh scrubbing cleaners. Only use kitchen cleaners that are especially made for cleaning stainless steel.

### Glass Door Exterior

- Clean the glass door using non-abrasive products or sponges and dry it with a soft cloth.
- Use glass cleaner. Apply glass cleaner to soft cloth or sponge, not directly on panel.

### Oven Interior

- This appliance DOES NOT have a self-cleaning feature.
- Use an appropriate cleaning product designed specifically to clean the inside of ovens.
- The soap should be rinsed away and the interior dried thoroughly.
- Avoid using abrasive detergents (for example cleaning powders, etc) and abrasive sponges for dishes or acids (such as lime scale – remover, etc) as these could damage the enamel.
- If the grease spots and dirt are particularly tough to remove, use a special product for oven cleaning, following the instructions provided on the packet.
- NEVER use a steam cleaner for cleaning inside of oven.
- If you use your oven for an extended period of time, condensation may form. Dry it using a soft cloth.
- There is a rubber seal surrounding the oven opening which guarantees its perfect functioning. Check the condition of this seal on a regular basis. If necessary, clean it and avoid using abrasive products or objects to do so. If damaged, contact the vendor. It is recommend to avoid using the oven until it has been repaired.
- NEVER line the oven bottom with aluminum foil, as the consequent accumulation of heat could compromise the cooking and even damage the enamel.

**▲ NOTE:** ALWAYS follow label instructions on cleaning products.

### Interior Lower Grill Element

- To remove the element, support one side with your hand while removing the retainer with the other.
- When cleaning, make sure not to apply excessive force on the element as it is fragile.
- Reposition the element and secure the retainer back in place.
- DO NOT use the oven with the grill element hanging down – it must be repositioned after cleaning.

### Removing Oven Door

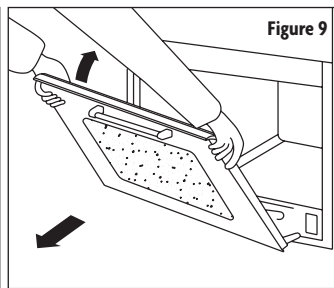
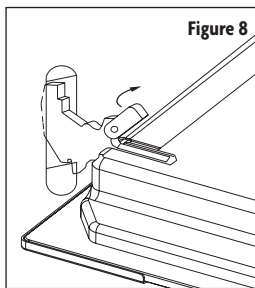
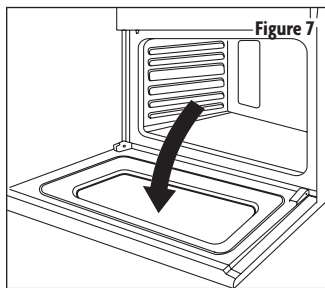
#### **▲ WARNING:**

- Make sure oven is cool and power to the oven has been turned off before removing the door. Failure to do so could result in electrical shock or burns.
- The oven door is heavy and fragile. Use both hands to remove the oven door. The door front is glass. Handle carefully to avoid breaking.
- Grasp only the sides of the oven door. DO NOT grasp the handle as it may swing in your hand and cause damage or injury.
- Failure to grasp the oven door firmly and properly could result in personal injury or product damage.
- To avoid injury from hinge bracket snapping closed, be sure that both levers are securely in place before removing the door. Also, DO NOT force door open or closed. The hinge could be damaged and injury could result.

Follow these instructions:

1. Open the door fully. (Refer to Figure 7.)
2. Lift up and push the small levers located on the two hinges all the way back. (Refer to Figure 8.)
3. While holding the door on each side, shut the door until it touches the levers. Then continue closing the door until it is about 4 inches (10cm) from being fully closed.
4. Pull the door towards you, pulling it out of its seat. Door will gently come away from the oven. (Refer to Figure 9.)
5. To replace the door, perform the reverse of the above procedure.

**▲ NOTE:** If door does not come away from oven easily, DO NOT force it.

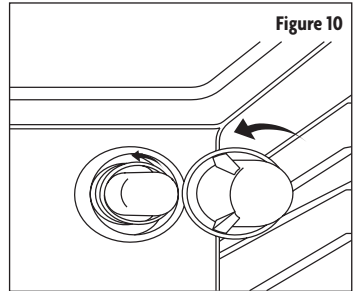


## REPLACING OVEN INTERIOR LIGHT

**▲ WARNING:** Electrical Shock Hazard

Failure to follow these instructions can result in death, fire, or electrical shock.

1. Disconnect the oven from the power supply by means of the omni-polar switch used to connect the appliance to the electrical mains, or unplug the appliance if the plug is accessible.
2. Remove the glass cover of the light bulb holder turning counter-clockwise. (Refer to Figure 10.)
3. Replace the old light bulb with a new oven-safe light bulb with the following characteristics:
  - Voltage: 208-240V
  - Wattage: 25W
  - Type: E14
4. Put the glass cover back and reconnect the oven to the main power supply.

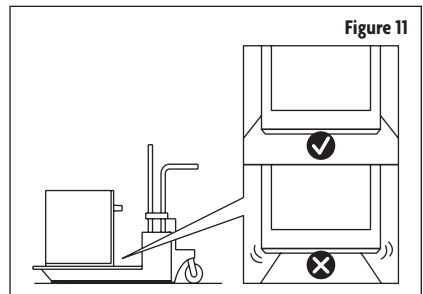


## TRANSPORTING

### ▲ **WARNING:** Electrical Shock Hazard

Failure to follow these instructions can result in death, fire, or electrical shock.

1. Before moving your oven, or performing maintenance, disconnect it from the power supply.
2. To avoid damage to the oven vent, use transportation that is wide enough to hold the entire bottom of the unit. (Refer to Figure 11.)



# TROUBLESHOOTING

Problem	Possible Causes	Solutions
Will not operate or turn on.	No power	Verify that the electrical wires are connected to the mains properly. Refer to “Electrical Installation” section on page 11.
	Household fuse is blown or circuit breaker is tripped.	Replace the fuse or reset the circuit breaker.
Oven will not operate.	Oven controls are set incorrectly.	Make sure the oven is on and set on the correct cooking mode.
Cooling fan runs during baking and broiling.	No problem	It is normal for the fan to automatically run while the oven is in use and for some time after to cool.
Oven temperature too high or too low.	Oven was not preheated.	Allow the oven to preheat so it is at the proper temperature when your food goes in.
	Racks are positioned incorrectly.	Try changing the rack position.
	Batter is not evenly distributed.	Check that the batter is level in the pan.
	Improper cook time was being used.	Adjust the cook time.
	Oven door was opened while cooking.	Oven peeking releases oven heat and can result in longer cook times.
Baked items are too brown on the bottom.	Oven rack is placed too low.	Move rack to a higher position in the oven.
Pie crust edges are browning early.	Temperature is too hot.	Use aluminum foil to cover the edge of the crust and/or reduce baking temperature.
Oven light does not work.	Light bulb is loose or defective.	Tighten or replace the bulb.
	Switch operating light is broken.	Contact a qualified technician.
Oven makes clicking noise.	No problem	This is the sound of the heating element turning on and off and is normal.
Display flashes.	Power outage or surge	Reset the clock. If the oven was in use, reset it.



## LIMITED WARRANTY

MC Appliance Corporation warrants each new Wall Oven to be free from defects in material and workmanship, and agrees to remedy any such defect or to furnish a new part(s), at the company's option, for any part(s) of the unit that has failed during the warranty period. Parts and labor expenses are covered on this unit for a period of one year from the date of purchase. A copy of the dated sales receipt/invoice is required to receive warranty service, replacement or refund.

This warranty covers appliances in use within the contiguous United States, Alaska, Hawaii and Puerto Rico. This warranty does not cover the following:

- Damages due to shipping damage or improper installation.
- Damages due to misuse or abuse.
- Content losses due to failure of the unit.
- Repairs performed by unauthorized service agents.
- Service calls that do not involve defects in material and workmanship such as instructions on proper use of the product or improper installation.
- Replacement or resetting of house fuses or circuit breakers.
- Failure of this product if used for other purposes than its intended purpose.
- Disposal costs for any failed unit not returned to our factory.
- Any delivery/installation costs incurred as the result of a unit that fails to perform as specified.
- Expenses for travel and transportation for product service if your appliance is located in a remote area where service by an authorized service technician is not available.
- The removal and reinstallation of your appliance if it is installed in an inaccessible location or is not installed in accordance with published installation instructions.
- Refunds for non repairable products are limited to the price paid for the unit per the sales receipt.
- This warranty is non transferable. This warranty applies only to the original purchaser and does not extend to any subsequent owner(s).

### Limitations of Remedies and Exclusions:

Product repair in accordance with the terms herein, is your sole and exclusive remedy under this limited warranty. Any and all implied warranties including merchantability and fitness for a particular purpose are hereby limited to one year or the shortest period allowed by law. MC Appliance Corporation is not liable for incidental or consequential damages and no representative or person is authorized to assume for us any other liability in connection with the sale of this product. Under no circumstances is the consumer permitted to return this unit to the factory without the prior written consent of MC Appliance Corporation.

Some states prohibit the exclusion or limitation of incidental or consequential damages, or limitations on implied warranties. This warranty gives you specific legal rights, and you may also have other rights which vary from state to state.

<b>Model</b>	<b>Parts</b>	<b>Labor</b>	<b>Type of Service</b>
MCSW0E24S	One Year	One Year	Carry In

For Service or Assistance please call **888-775-0202** or visit us on the web at [www.mcappliance.com](http://www.mcappliance.com) to request warranty service or order parts.



**CNA International, Inc. d/b/a MC Appliance Corporation. All rights reserved.  
Magic Chef® logo is a registered trademark of CNA International, Inc.**

**[www.mcappliance.com](http://www.mcappliance.com)**

**Printed in China**



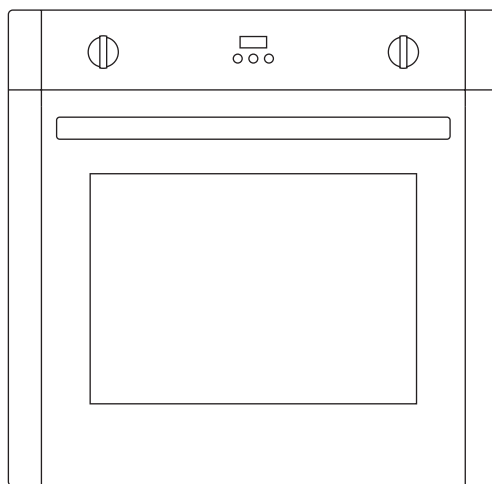




**Magic Chef®**

# Horno de Pared para Empotrar de 24 pulgadas

*Manual del usuario*



**Modelo MCSWOE24S**

**LEA ESTE MANUAL ANTES DE UTILIZAR SU HORNO DE PARED Y  
GUÁRDELO PARA FUTURA REFERENCIA.**



## REGISTRACIÓN DEL PRODUCTO

Gracias por comprar el producto Magic Chef®. El primer paso para proteger su nuevo producto es completar la forma de registración en nuestra pagina web: [www.mcappliance.com/register](http://www.mcappliance.com/register). Los beneficios de registrar su producto incluyen lo siguiente:

1. Al registrar su producto nos permite contactarle para notificarle de un cambio de seguridad o actualización del producto.
2. Si llegara a necesitar servicio bajo garantía, registrando su producto nos permite ser más eficiente en procesar el servicio.
3. En el evento que usted tenga una perdida que esta cubierto por un seguro, registrando su producto puede servir como prueba de su compra.

Una vez más gracias por comprar un producto marca Magic Chef.

# ÍNDICE

REGISTRO DEL PRODUCTO .....	25
PRECAUCIONES .....	27
INSTRUCCIONES DE SEGURIDAD IMPORTANTES .....	28
ESPECIFICACIONES .....	31
PARTES Y FUNCIONES .....	32
INSTRUCCIONES DE INSTALACIÓN .....	33
ANTES DE SU USO .....	37
INSTRUCCIONES DE FUNCIONAMIENTO .....	38
CUIDADO Y MANTENIMIENTO .....	42
SOLUCIÓN DE PROBLEMAS .....	45
GARANTÍA LIMITADA .....	46

# PRECAUCIONES

## EXPLICACIÓN DE LOS SÍMBOLOS

### **▲ ADVERTENCIA**

Peligros o prácticas inseguras que PODRÍAN provocar lesiones personales graves o la muerte.

### **▲ PRECAUCIÓN**

Peligros o prácticas inseguras que PODRÍAN provocar lesiones personales leves.

**▲ ADVERTENCIA:** Lea y comprenda todas las precauciones de seguridad. La inobservancia de todas las instrucciones descritas en este manual del usuario podría resultar en descarga eléctrica, incendio y/o lesiones personales graves. Las advertencias, precauciones e instrucciones planteadas en este manual del usuario no cubren todas las eventuales condiciones y situaciones que podrían suscitarse.

# INSTRUCCIONES DE SEGURIDAD IMPORTANTES

**▲ ADVERTENCIA:** Cuando se cuida apropiadamente, su horno de pared ha sido diseñado para ser seguro y confiable. Lea cuidadosamente todas las instrucciones antes de usarlo. Estas precauciones reducirán el riesgo de quemaduras, descarga eléctrica, incendio y lesiones a personas. Cuando utilice este aparato de cocina, las precauciones de seguridad básicas deben ser observadas; incluyendo aquellas en las páginas siguientes.

## INSTALACIÓN ADECUADA Y MANTENIMIENTO.

**▲ IMPORTANTE:** Guarde este manual para el uso del inspector de electricidad local.

- Haga que el instalador le indique la ubicación del interruptor o fusible. Márquelo para una fácil referencia.
- Asegúrese de que su aparato esté instalado apropiadamente y conectado a tierra por un personal de servicio calificado. Conecte solamente a un tomacorriente conectado correctamente a tierra. (Para conocer más detalles, consulte las «Instrucciones de instalación» en la página 33).
- Este aparato tiene por objeto ser utilizado sólo para uso doméstico familiar normal. No está aprobado para uso al aire libre. Si usted tiene cualesquiera preguntas, contacte al fabricante.
- NO almacene o utilice químicos corrosivos, vapores, productos inflamables o que no sean alimentos en o cerca de este aparato. Ha sido diseñado específicamente para ser usado al calentar o cocinar alimentos. El uso de químicos corrosivos al calentar o limpiar dañará el aparato y puede resultar en lesiones.
- NO OPERE este aparato si no está funcionando correctamente, o ha sido dañado. Póngase en contacto con un personal de servicio calificado.
- NO obstruya los orificios de ventilación del horno.
- NO repare o cambie ninguna pieza del aparato, a menos que esté específicamente recomendado en este manual. Refiera todos los servicios de mantenimiento de este aparato a un personal de servicio calificado.

## SEGURIDAD CONTRA INCENDIOS

- NO use papel de aluminio o forros de protección para forrar ninguna parte del aparato, especialmente la parte inferior del horno. Instalar esos forros puede causar riesgo de descarga eléctrica o incendio.
- Si los materiales adentro del horno se encienden, mantenga la puerta cerrada. Apague el aparato y desconecte el interruptor en la caja de interruptores.
- Utilice este aparato sólo para el propósito para el que fue construido tal como se describe en este manual. Por ejemplo, NUNCA use el aparato para calentar la habitación. NUNCA use el aparato para almacenar.
- Tenga SIEMPRE un detector de humo cerca de la cocina que funcione.
- En el caso que la ropa o el cabello personal agarre fuego, de inmediato tírese al suelo y de vueltas para extinguir las llamas. Ahogue las llamas de fuego de alimentos, distintas de fuego de grasa con bicarbonato de sodio.
- Tenga disponible un extinguidor de incendio apropiado, cercano, altamente visible y de fácil acceso cerca del horno.

**▲ ADVERTENCIA:** Para reducir el riesgo de lesiones personales en el caso de fuego por causa de grasa, haga lo siguiente.

- Ahogue las llamas con una tapa ajustada, una lámina para hacer galletas o bandeja de metal, luego apague el quemador. Actúe con cautela para prevenir quemaduras. Si las llamas no se extinguen inmediatamente, salga y llame al departamento de bomberos.

- NUNCA agarre un recipiente en llamas. Usted puede resultar quemado.
- NO utilice agua en fuego de grasa.
- Asfixiar el fuego o la llama. O utilice extinguidores o químicas secos para asfixiar las llamas.
- Use un extinguidor SÓLO si:
  - 1) Usted conoce que tiene un extinguidor Clase ABC, y usted sabe cómo utilizarlo.
  - 2) El incendio es pequeño y está contenido en el área donde comenzó.
  - 3) El departamento de bomberos está siendo llamado.
  - 4) Usted puede luchar contra el incendio con su espalda hacia una salida.

## PREVENCIÓN DE QUEMADURA

- NO toque los elementos calentadores o las superficies interiores del horno. Los elementos calentadores pueden estar calientes incluso si ellos están en color oscuro. Las superficies interiores de un horno se ponen suficientemente calientes para causar quemaduras. Durante y después del uso, NO toque, o permita que la ropa, los agarra ollas u otros materiales inflamables hagan contacto con los elementos calentadores o superficies interiores del horno hasta que ellos hayan tenido suficiente tiempo para enfriarse. Otras superficies del aparato pueden llegar a calentarse lo suficiente para causar quemaduras. Entre esas superficies hay aberturas de ventilación del horno, superficies cerca de esas aberturas y puertas del horno.
- Actúe con cautela cuando abra el aparato. Párese al lado, abra la puerta despacio y poco a poco para permitir que el aire caliente y/o el vapor salgan. Mantenga su cara apartada mientras lo abre y asegúrese de que no haya niños o mascotas cerca de la unidad. Luego de que se libere el aire caliente y/o vapor, proceda con su cocción de alimentos. Mantenga las puertas cerradas salvo que sea necesario para cocinar o para propósitos de limpieza. NO deje desatendidas las puertas abiertas.
- NO caliente contenedores de alimentos que estén cerrados. La presión que se forme puede causar que el contenedor explote y cause lesiones.
- SIEMPRE coloque las parrillas del horno en la posición deseada mientras el horno esté frío. Si una parrilla debe ser movida mientras el horno está caliente, NO permita que el agarra ollas haga contacto con los elementos calentadores.
- SIEMPRE utilice agarra ollas secos. Los agarra ollas húmedos o mojados en superficies calientes pueden resultar en quemaduras por vapor. NO permita que el agarra ollas toque los elementos calentadores. NO utilice un paño u otra tela voluminosa.
- Asegure todas las prendas sueltas antes de comenzar. Recoja el pelo largo de manera que no cuelgue suelto, y NO utilice ropa holgada o prendas colgantes, tales como corbatas, pañuelos, joyas o mangas que cuelguen.

## SEGURIDAD PARA NIÑOS

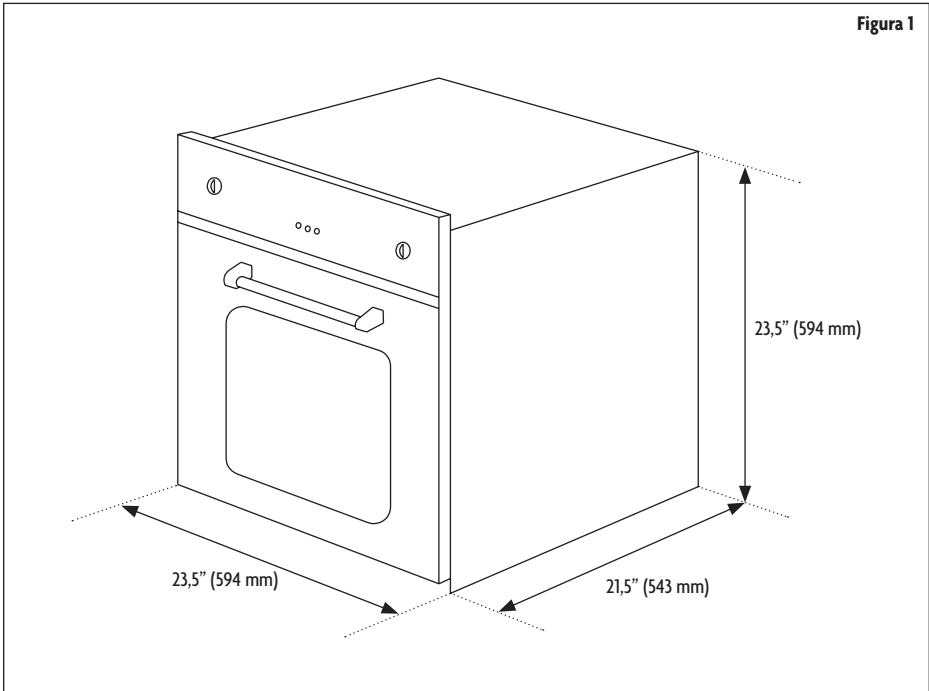
- Cuando los niños cumplen edad suficiente para usar el aparato, los padres o tutores legales tienen la responsabilidad legal de garantizar que se les instruya en el funcionamiento seguro del aparato por personas calificadas.
- NO permita a nadie subirse, pararse, recostarse, sentarse o colgarse de ninguna parte del aparato, especialmente de la puerta, el cajón para mantener caliente o el cajón para almacenar. Esto puede dañar el aparato, y la unidad se puede volcar, causando potenciales lesiones graves.

- NO permita a los niños usar este aparato salvo que estén supervisados de cerca por un adulto. Los niños y las mascotas no se deben dejar solos o desatendidos en el área donde el aparato esté en uso. A ellos NUNCA se les debe permitir jugar en las cercanías, sea que el aparato esté o no en uso.
- Los artículos de interés para los niños NO deben ser almacenados en el aparato, en los gabinetes encima del aparato o en el protector contra salpicaduras. Los niños que se suban en el aparato para alcanzar artículos pueden resultar gravemente lesionados.

## GUARDE ESTAS INSTRUCCIONES PARA FUTURAS REFERENCIAS

# ESPECIFICACIONES

Figura 1

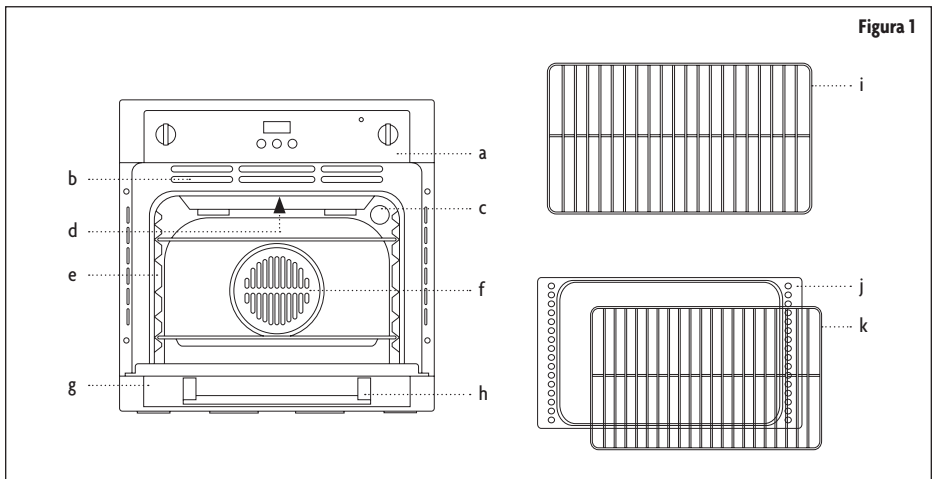


Altura	23,5" (594 mm)
Ancho	23,5" (594 mm)
Profundidad	21,5" (543 mm)
Peso	72 lbs. (32,5 kg)
Suministro eléctrico	240 V / 60 Hz
Capacidad:	2.2 pies cúbicos
Voltaje nominal:	2300 W



# PARTES Y FUNCIONES

## ACCESORIOS & PARTES DEL PRODUCTO



- |   |   |                                       |
|---|---|---------------------------------------|
| a. Panel de control                     | e. Guía de colocación de la parrilla              | i. Parrilla del horno (2)             |
| b. Rejillas de ventilación              | f. Ventilador de convección y elemento calentador | j. Bandeja para asar                  |
| c. Luz interior del horno               | g. Puerta del horno                               | k. Parrilla para la bandeja para asar |
| d. Elemento calentador central superior | h. Manija de la puerta                            |                                       |

# INSTRUCCIONES DE INSTALACIÓN

**▲ ADVERTENCIA:** Solo personal de servicio calificado que cumpla con las instrucciones que le sean suministradas debe instalar el aparato. El fabricante rechaza toda responsabilidad por instalación inapropiada, que pueda causar lesiones a personas, animales y daños materiales.

## REQUISITOS DE UBICACIÓN

Con el objeto de asegurar que el aparato empotrado funcione adecuadamente, el gabinete que lo contenga debe ser apropiado. Las figuras que aparecen abajo y en la próxima página dan las dimensiones de la abertura para instalación en una unidad de gabinete de pared o debajo de una encimera. (Consulte las Figuras 2 y 3).

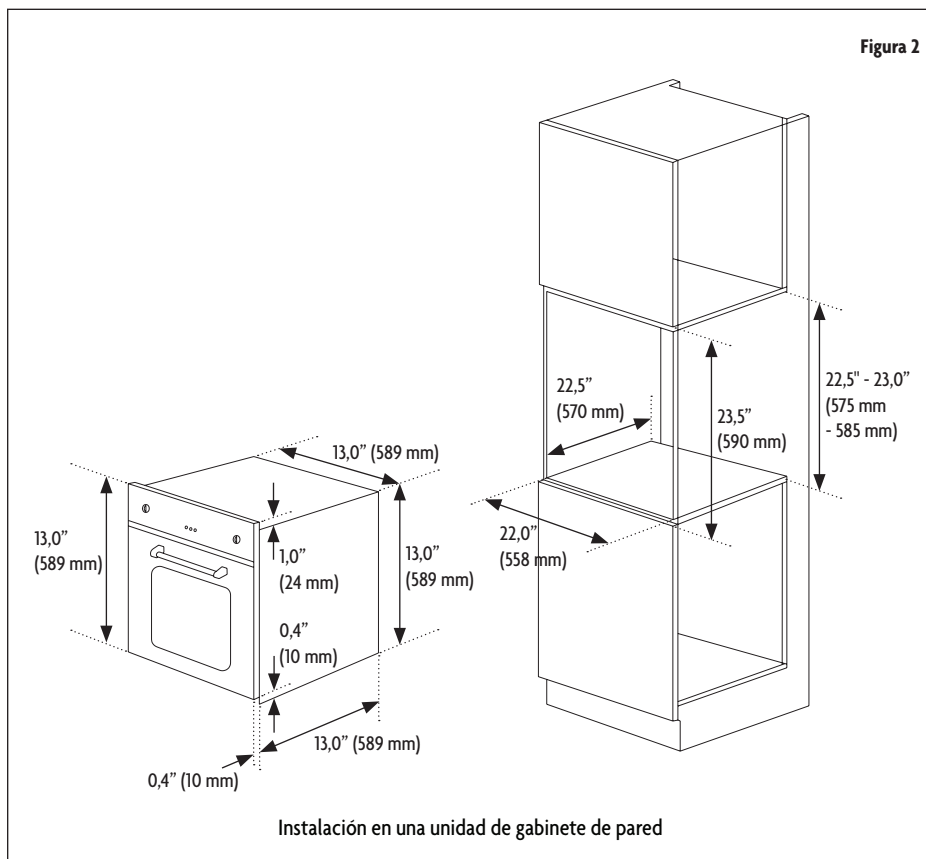
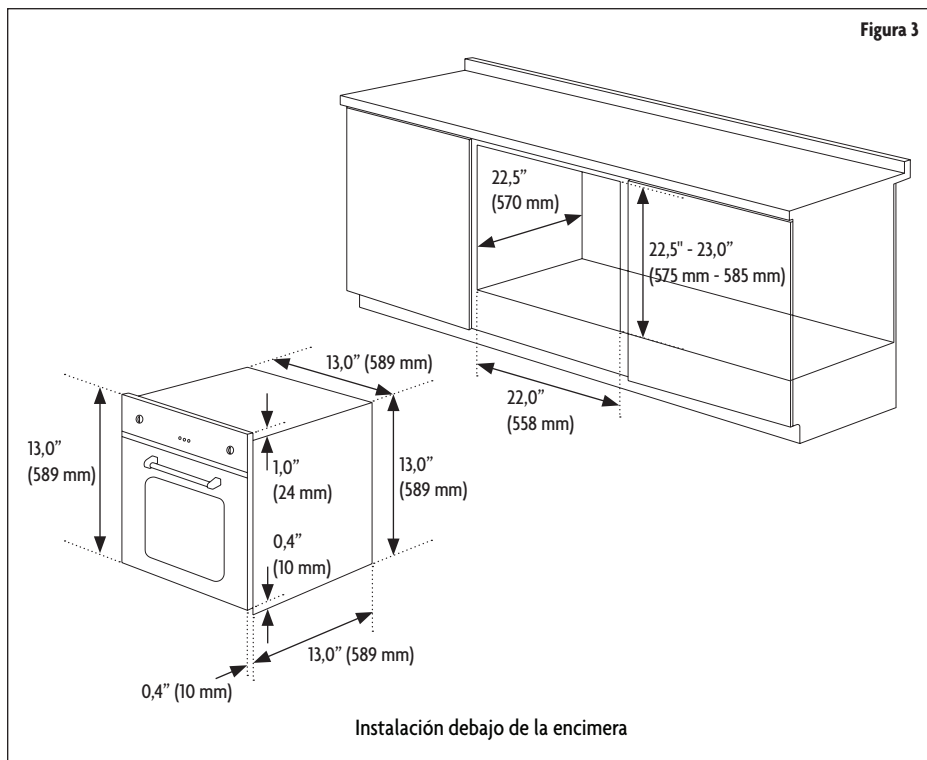
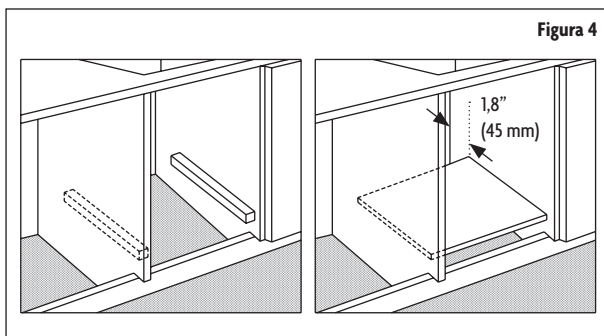


Figura 3



**▲ IMPORTANTE:** La instalación debe realizarse en cumplimiento con la declaración de consumo. Con el objeto de asegurar que haya una ventilación adecuada, el panel posterior del gabinete debe ser removido. Instalar el horno de manera que el mismo descansa en dos tiras de madera es preferible. Si el horno descansa en una superficie plana, continua, debe haber una abertura de al menos  $1\frac{3}{4}'' \times 22''$  (45 x 560 mm). (Consulte la Figura 4).



- Los paneles de los gabinetes adyacentes deben estar hechos de un material resistente al calor. En particular, los gabinetes con un exterior enchapado deben ser ensamblados con pegamentos que puedan soportar temperaturas de hasta 212°F.
- En cumplimiento a los estándares de seguridad actuales, el contacto con las partes eléctricas del horno no debe ser posible una vez que el horno se haya instalado.
- Todas las partes, que aseguren el funcionamiento seguro del aparato, deben ser removibles sólo con la ayuda de una herramienta.
- Para fijar el horno al gabinete, abra la puerta del horno y fíjelo insertando los 4 tornillos de madera en los 4 orificios localizados en el perímetro del marco.

## REQUISITOS ELÉCTRICOS

### ▲ **ADVERTENCIA:** Peligro de descarga eléctrica

- NO utilice un cable de extensión.
- No seguir estas instrucciones puede resultar en muerte, incendio o descarga eléctrica.
- Cualesquiera adiciones, cambios o conversiones requeridos para que este aparato alcance satisfactoriamente las necesidades de aplicación deben ser hechos por personal de servicio calificado de conformidad con las instrucciones del fabricante y con todos los códigos y requerimientos de las autoridades que tengan jurisdicción. No seguir las instrucciones puede resultar en serias lesiones o daños materiales. El personal de servicio calificado que realice este trabajo asume responsabilidad por la conversión.
- Este aparato necesita ser instalado directamente a la red eléctrica (sin un enchufe). Para hacer eso, siga las instrucciones en la sección de la «Conexión a tres cables» en la página 35. Si usted desea instalar este aparato directamente a la red eléctrica (sin un enchufe), debe ser instalado por un personal de servicio calificado.
- NO encienda este aparato utilizando un adaptador de 2 puntas o un cable de extensión. Si un receptáculo de pared de 2 puntas es el único tomacorriente disponible, es responsabilidad personal exclusiva de consumidor hacerlo reemplazar por un receptáculo a tierra adecuado de 3 puntas o receptáculo de pared de 4 puntas instalado por un personal de servicio calificado. Descarga o daños severos a la estufa pueden ocurrir si la estufa no está instalada por un personal de servicio calificado.
- Este aparato cuenta con una función de encendido eléctrico sin piloto para ahorro de energía y confiabilidad. Este funciona en un suministro eléctrico de 208-240V/50-60Hz 12-15 amp.
- Un interruptor separado, protegido por un fusible de retardo de tiempo de 15 amp o un interruptor, es requerido.
- Para la seguridad personal, el aparato debe estar correctamente conectado a tierra.

## INSTALACIÓN ELÉCTRICA

▲ **ADVERTENCIA:** Es responsabilidad y obligación del consumidor contactar un personal de servicio calificado para asegurarse de que la instalación eléctrica es adecuada y conforme a las ordenanzas y códigos locales.

▲ **IMPORTANTE:** El suministro eléctrico al aparato debe ser cortado antes de realizar cualesquiera ajustes o trabajo de mantenimiento en el aparato. Conducto de aire se supone que se use en la ventilación.

Este horno es doble clasificación, diseñado para ser conectado bien sea a 208/240 V AC, 60Hz, 3 cables, suministro eléctrico de dos-fases.

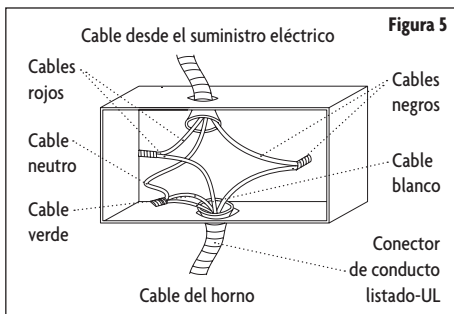
El suministro eléctrico debe ser de dos-fases de AC 3 cables. Instale una caja de conexión adecuada (no suministrada). Un conector de conducto listado-U de tamaño adecuado, debe utilizarse para fijar correctamente el conducto a la caja de conexión.

CIRCUITO REQUERIDO	
208V, 60Hz	240V, 60Hz
12 amp	15 amp

## CIRCUITO DERIVADO DE 3 CABLES

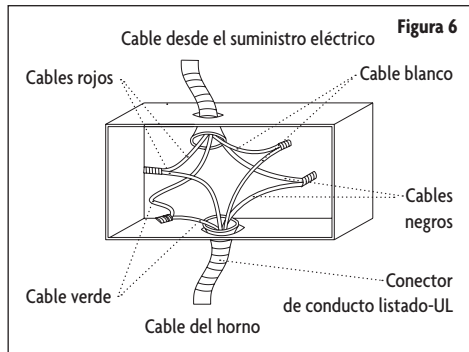
En los lugares donde los códigos locales permiten la conexión del cable verde a tierra desde el horno al cable neutro blanco del ramal del interruptor:

- Si los códigos locales permiten, conecte el cable verde a tierra desde el horno y el cable neutro blanco desde el horno al cable neutro del ramal del interruptor (cable gris o de color blanco).
- Conecte el cable rojo y el negro desde el horno a los cables correspondientes en la caja de conexión.
- Consulte la Figura 5.



## CIRCUITO DERIVADO DE 4 CABLES

- Desconecte la tierra del neutro en el extremo libre del conducto.
- Conecte el cable verde a tierra desde el horno al cable desnudo o cable verde a tierra en la caja de conexiones.
- Conecte el cable rojo y el negro desde el horno a los cables correspondientes en la caja de conexión.
- Conecte el cable blanco desde el horno al cable neutral blanco en la caja de conexión.



# ANTES DE USAR

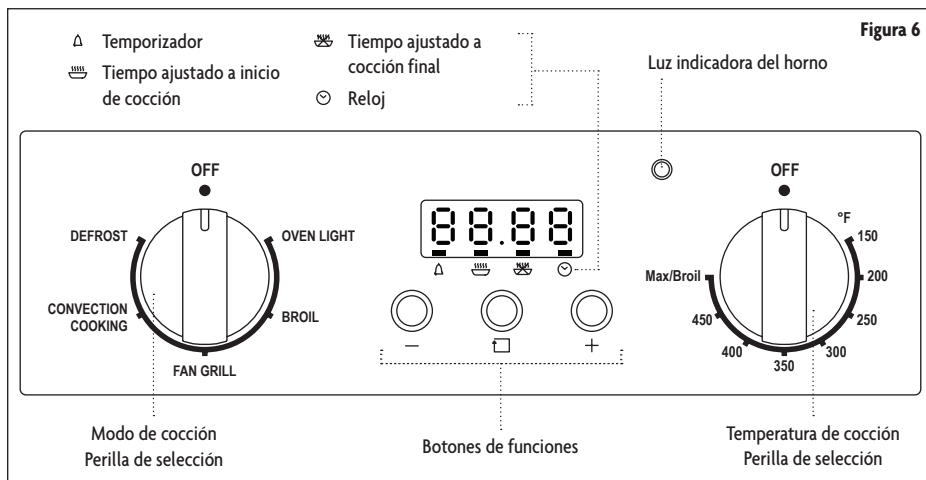
Este horno de funciones múltiples combina en un solo aparato las ventajas de los hornos tradicionales con aquellas de los modelos más modernos asistidos por ventilación. Este es un aparato extremadamente versátil que le permite escoger fácilmente y de forma segura entre diferentes modos de cocción.

**▲ IMPORTANTE:** La primera vez que usted utilice su aparato, nosotros recomendamos que ajuste el termostato a la configuración más elevada y deje el horno encendido por sobre media hora sin nada adentro, con la puerta del horno cerrada. Luego abra la puerta del horno y permita que el aire del cuarto entre. El olor que con frecuencia se detecta durante este uso inicial se debe a la evaporación de sustancias empleadas para proteger el horno durante su almacenaje y hasta que es instalado.

**▲ IMPORTANTE:** Coloque la bandeja colectora suministrada, en el estante inferior del horno para prevenir que cualquier salsa y/o grasa gotee a la parte baja del horno sólo cuando estén cocinando alimentos a la parrilla.

- Para todos los otros tipos de cocción, NUNCA utilice el estante inferior y NUNCA coloque nada en la parte inferior del horno cuando esté funcionando porque esto puede dañar el esmalte.
- SIEMPRE coloque sus utensilios de cocina (platos, papel de aluminio, etc.) en la rejilla suministrada con el aparato insertado especialmente junto con las guías del horno.

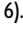
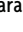
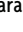
# INSTRUCCIONES DE FUNCIONAMIENTO



## MODOS DE COCCIÓN

- Luz del horno: Enciende las luces del horno cuando se selecciona.
- Asar (Broil): Mejor para fundir quesos, tostar o dorar. Para resultados óptimos, use en conjunto con el ajuste de temperatura para Asar.
- Parrilla de ventilación (Fan grill): Utiliza el elemento de parrilla de calor alto y el ventilador para circular al aire caliente en todo el horno. Ideal para cocinar cortes de carnes grandes de manera que queden jugosos por dentro y crujientes por fuera. Use un termómetro para verificar la temperatura interna. Se recomienda no colocar la temperatura a más de 400°F.
- Cocción de convección (Convección cooking): Utiliza el elemento calentador potente alrededor del ventilador para distribuir uniformemente el calor en todo el horno. Esto es genial para cocción en múltiples parrillas porque el ventilador asegura que cada parrilla es calentada.
- Descongelar (Defrost): Circula aire a temperatura ambiente para descongelar alimentos. Para la comida como la carne, el pescado y el pan, el modo de cocinar situado entre 175-225°F (350-400°C), se puede utilizar para acelerar el proceso de descongelación.

## RELOJ DIGITAL (DIGITAL CLOCK)

1. Una vez que el horno esté conectado a la corriente eléctrica, el reloj mostrará las «12:00» con el símbolo «» arriba de «». (Consulte la Figura 6).
2. Presione el botón «+» o «-» para aumentar o disminuir el número hasta que llegue a la hora correcta.
3. Después de 5 segundos el reloj comenzará automáticamente o usted puede presionar el botón «» para hacerlo funcionar.

## TEMPORIZADOR (TIMER)

### Ajuste del temporizador de cocina (Kitchen timer setting)

1. Presione el botón « □ » repetidamente hasta que el símbolo « ■ » arriba de « △ » parpadee.
2. Presione el botón « + » o « - » hasta que la hora que usted desee se muestre en la pantalla. El tiempo de cocción más largo que puede ser fijado es 23 horas y 59 minutos.
3. Luego de fijar el tiempo adecuado (hora / minutos), el símbolo « ■ » arriba de « △ » comienza a parpadear.
4. Comienza la cuenta regresiva.
5. Cuando llegue al tiempo fijado, el « ■ » símbolo arriba del « △ » parpadea, y la alarma sonará.
6. Para apagar el timbre de la alarma, presione cualquier botón.

**▲ NOTA:** Esta configuración no controla al horno.

**▲ IMPORTANTE:**

- La configuración debe ser efectuada en 5 segundos.
- Si la electricidad falla repentinamente, todo el procedimiento de fijación y la propia hora del reloj (hora / minutos) desaparecerán.
- Después de que la fuerza eléctrica vuelva nuevamente, «12:00» y el símbolo « ■ » arriba de « ☺ » se muestre en la pantalla, usted necesitará fijar la hora otra vez.

Ajuste del temporizador totalmente automático (Full automatic timer setting)

1. Presione el botón « □ » repetidamente hasta que el símbolo « ■ » arriba de « ☺ » parpadee, y presione el botón « + » o « - » para establecer cuanto tiempo necesita cocinar el horno.
2. Presione el botón « □ » repetidamente hasta que el símbolo « ■ » arriba de « ☺ » parpadee, y presione el botón « + » o « - » para establecer el tiempo para que el horno pare de cocinar y se apague.
3. Ajuste las perillas para seleccionar modo de cocción y temperatura.
4. Los símbolos « ■ » arriba de « ☺ » y « ☺ » parpadearán. Esto indica que el temporizador de cocción ha sido puesto. La cocción comenzará y finalizará conforme a lo programado en el temporizador.

Por ejemplo, si el alimento es requerido que sea horneado por 45 minutos y está supuesto a parar a las «2:00»:

1. Presione el botón « □ » repetidamente hasta que el símbolo « ■ » arriba de « ☺ » parpadee, y fije el tiempo de cocción a 45 minutos.
2. Presione el botón de la función repetidamente hasta que el símbolo « ■ » arriba de « ☺ » haya parpadeado, y fije la terminación de la cocción a las «2:00».
3. El propio tiempo (hora / minuto) y el símbolo « ■ » se mostrará en la pantalla. Esto indica que la fijación del temporizador de cocción ha sido puesta.
4. Cuando el reloj muestre «1:15», el horno se encenderá automáticamente y comenzará la cocción.
5. Durante el tiempo de cocción, el símbolo « ■ » se mantendrá parpadeando.
6. Cuando el reloj muestre las «2:00», se detendrá la cocción y el horno se apagará automáticamente, la alarma sonará, y el símbolo « ■ » parpadeará.
7. Para apagar el timbre de la alarma, presione cualquier botón.

Ajuste del temporizador semiautomático (Semi-automatic timer setting)

- A. Ajustando el temporizador a la duración del tiempo de cocción
  1. El tiempo máximo que puede ser fijado es 10 horas.
  2. Presione el botón « □ » repetidamente hasta que el símbolo « ■ » arriba de « ☺ » parpadee. Presione el botón « + » o « - » y fije el temporizador por el tiempo que el horno necesite cocinar.
  3. Ajuste las perillas para seleccionar modo de cocción y temperatura.



4. Cuando la cantidad total de tiempo fijado ha pasado, la cocción se detendrá y el horno se apagará automáticamente.
  5. El símbolo «■» arriba de «☰» parpadeará y la alarma sonará.
  6. Para apagar el timbre de la alarma, presione cualquier botón.
- B. Ajustando el temporizador con la hora de terminación de cocción
1. El tiempo de cocción más largo que puede ser fijado es 23 horas y 59 minutos.
  2. Presione el botón «□» repetidamente hasta que el símbolo «■» arriba de «☰» parpadee. Presione el botón «+» o «-» y fije la hora para que el horno pare la cocción.
  3. Ajuste las perillas para seleccionar modo de cocción y temperatura.
  4. Cuando alcance la hora establecida, la cocción se detendrá y el horno se apagará automáticamente.
  5. El «■» símbolo arriba de «☰» parpadea, y la alarma sonará.
  6. Para apagar el timbre de la alarma, presione cualquier botón.

**▲ NOTA:** El procedimiento de ajuste de temporizador puede verse presionando cualquier botón de función repetidas veces en cualquier momento.

**▲ NOTA:** Ajustando la hora final de la cocción a la hora actual, el procedimiento de fijación del temporizador puede ser cancelado.

## CONSEJOS PRÁCTICOS DE COCINA

### Asar (Broil)

1. Coloque la perilla de temperatura entre 150°F y Max/Broil.
2. El elemento calentador central superior se encenderá.
3. La temperatura extremadamente alta y directa del elemento calentador hace posible dorar la superficie de carnes y asados mientras que bloquea los jugos para mantenerlas tiernas.
4. El modo «Asar (Broil)» también se recomienda ampliamente para platos que requieren una alta temperatura en la superficie como bistec de carne de vaca, ternera, bistec de costilla, filetes y hamburguesas.

### Parilla de ventilación (Fan grill)

1. Coloque la perilla de temperatura entre 150°F y 400°F.
2. El elemento calentador central superior se encenderá.
3. Esta combinación de funciones aumenta la eficacia de la radiación térmica unidireccional del elemento calentador mediante la circulación forzada del aire en todo el horno.
4. Esto ayuda a prevenir que los alimentos se quemen en la superficie, permitiendo que el calor penetre directo en los alimentos.
5. Excelentes resultados son logrados con las brochetas hechas con carne y vegetales, salchichas, chuletas de costillas de cordero pollo en salsa picante, codornices y chuletas de cerdo.
6. El modo «Parilla de ventilación (Fan grill)» es ideal para cocinar filetes de pescado tales como pez espada y sepia rellena.

### Cocción de convección (Convection cooking)

1. Coloque la perilla de temperatura entre 150°F y 475°F.
2. El elemento calentador de la parte posterior y el ventilador se encenderán, garantizando calor delicado distribuido uniformemente en todo el horno.

3. El modo de «Cocción de convección (Convection cooking)» es también ideal para hornear y cocinar alimentos delicados, especialmente pasteles que necesitan levantar y para la preparación de ciertas tartaletas en 3 estantes al mismo tiempo. He aquí algunos ejemplos: bombas de crema, galletas dulces y sabrosas, hojaldres sabrosos, rollos suizos y pequeñas porciones de vegetales al gratin.

#### Descongelar (Defrost)

1. Coloque la perilla de temperatura en cualquier temperatura.
2. El ventilador en el horno hará circular el aire la temperatura de la habitación alrededor del alimento.
3. Este es recomendado para descongelar cualquier tipo de alimentos, pero en particular alimentos delicados que no requieren calor tales como helados, cremas o postre de crema y tartas de fruta.
4. Utilizando el ventilador, el tiempo de descongelación es de aproximadamente la mitad. En caso de carne, pescado y pan, es posible acelerar el proceso usando la «Cocción de convección (Convection cooking)» fijando la temperatura entre 175°F y 225°F.

#### Ventilador de refrigeración (Cooling ventilation)

Para enfriar el exterior del aparato, este modelo está equipado con un ventilador de refrigeración, que se enciende automáticamente, cuando el horno está caliente. Cuando el ventilador está prendido, se puede escuchar una corriente de aire normal saliendo entre la puerta del horno y el panel de control.

**▲ NOTA:** Cuando la cocción esté lista, el ventilador permanece prendido hasta que el horno se haya enfriado suficientemente.

# CUIDADO Y MANTENIMIENTO

## LIMPIEZA

▲ **ADVERTENCIA:** Para evitar el riesgo de descarga eléctrica, SIEMPRE asegúrese de que el aparato se haya apagado y esté completamente frío antes de limpiarlo o realizar cualquier tipo de mantenimiento.

▲ **PRECAUCIÓN:**

- Para evitar posibles quemaduras, tenga cuidado cuando limpie el aparato.
- NO intente limpiar el aparato cuando el horno o los cabezales de los quemadores estén todavía calientes.
- Para evitar posibles quemaduras, NO intente ninguna de las instrucciones de limpieza siguientes antes de apagar todos los quemadores de la superficie permitiendo que se enfríen.

▲ **NOTA:** SIEMPRE siga las instrucciones en la etiqueta de los productos de limpieza.

### Perillas de control

- Para la limpieza general, utilice agua caliente, jabonosa y un paño.
- Para sucios más difíciles y grasa acumulada, aplique detergente líquido directamente sobre el sucio. Enjuague con un paño húmedo y seque.
- NO utilice lana de acero o limpiadores ácidos en las perillas ya que pueden rayar.

### Exterior de acero inoxidable

- Limpie el acero inoxidable con agua caliente, jabonosa y una esponja. Enjuague con agua limpia y un paño.
- NO use limpiadores con altas concentraciones de cloruros o cloros. NO use limpiadores abrasivos. Utilice sólo limpiadores de cocina que sean hechos especialmente para limpiar acero inoxidable.

### Puerta de vidrio exterior

- Limpia la puerta de vidrio utilizando productos no abrasivos o esponjas y séquela con un paño suave.
- Use limpiador de vidrios. Aplique limpiador de vidrios al paño suave o a la esponja, no directamente en el panel.

### Interior del horno

- Este aparato NO tiene función auto limpiante.
- Utilice un producto de limpieza apropiado designado especialmente para limpiar la parte interior de los hornos.
- El jabón debe ser enjuagado y el interior secado por completo.
- Evite utilizar detergentes abrasivos (por ejemplo, polvos de limpieza, etc.) y esponjas abrasivas para vajillas o ácidos (tales como removedores - cal, etc.) dado que estos pueden dañar el esmalte.
- Si las manchas de grasa y el sucios son particularmente difíciles de remover, use un producto especial para limpieza de horno, siguiendo las instrucciones suministradas en el paquete.
- NUNCA utilice un limpiador de vapor para limpiar adentro del horno.
- Si usted utiliza su horno por un período de tiempo extendido, se puede formar condensación. Séquela usando un paño suave.
- Hay un sello de goma que rodea la abertura del horno que garantiza su perfecto funcionamiento. Verifique la condición de este sello regularmente. Si es necesario, límpielo y evite usar productos abrasivos u objetos para hacer eso. Si está dañado, comuníquese con el vendedor. Se recomienda evitar el uso del horno hasta que haya sido reparado.
- NUNCA forre el fondo del horno con papel aluminio, dado que la acumulación de calor consecuente puede comprometer la cocción y hasta dañar el esmalte.

**▲ NOTA:** SIEMPRE siga las instrucciones en la etiqueta de los productos de limpieza.

#### Elemento de parrilla inferior interior

- Para quitar el elemento, apoye un lado con su mano mientras retira el retenedor con la otra.
- Cuando limpie, asegúrese de no aplicar excesiva fuerza en el elemento dado que es frágil.
- Coloque de nuevo el elemento y asegure el retenedor de vuelta a su lugar.
- NO utilice el horno con el elemento de parrilla colgando hacia abajo – este debe ser colocado de nuevo en su lugar después de la limpieza.

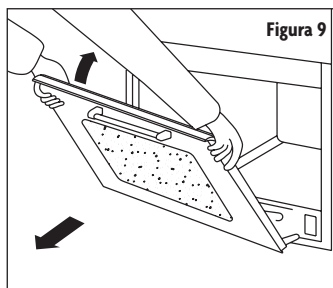
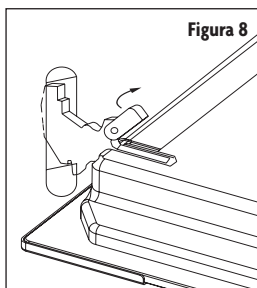
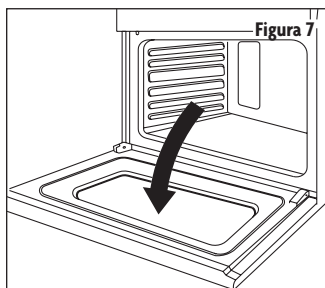
#### Quitar la puerta del horno

##### **▲ ADVERTENCIA:**

- Asegúrese de que el horno esté frío y la electricidad al horno haya sido apagada antes de quitar la puerta. De no hacerlo así podría provocar descarga eléctrica o quemaduras.
- La puerta del horno es pesada y frágil. Utilice ambas manos para quitar la puerta del horno. La puerta del frente es vidrio. Manéjela cuidadosamente para evitar que se rompa.
- Sostenga sólo los lados de la puerta del horno. NO agarre la manija dado que podría balancearse en su mano y causar daños o lesiones.
- No sostener la puerta del horno firme y adecuadamente podría resultar en lesiones personales o daño al producto.
- Para evitar lesiones porque la bisagra de soporte se cierre, asegúrese de que las manijas estén aseguradas en su lugar antes de quitar la puerta. Además, NO FUERCE la puerta abierta o cerrada. La bisagra podría ser dañada y podrían resultar lesiones.

Siga estas instrucciones:

1. Abra la puerta completamente. (Consulte la Figura 7).
2. Levante y empuje las manijas pequeñas ubicadas en las dos bisagras hacia atrás. (Consulte la Figura 8).
3. Mientras sujeta la puerta por cada lado, cierre la puerta hasta que la unidad toque las manijas. Luego continúe cerrado la puerta hasta que esté como a 4 pulgadas (10 cm) de estar completamente cerrada.
4. Hale la puerta hacia usted, sacándola afuera de su puesto. La puerta saldrá suavemente del horno. (Consulte la Figura 9.)
5. Para colocar nuevamente la puerta, realice el procedimiento anterior a la inversa.



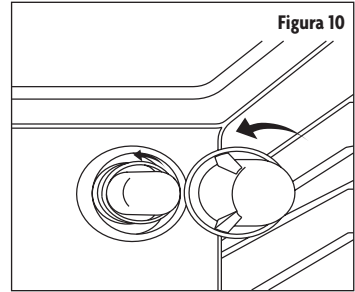
**▲ NOTA:** Si la puerta no sale del horno con facilidad, NO la fuerce.

## REEMPLAZAR LA LUZ INTERIOR DEL HORNO

**▲ ADVERTENCIA:** Peligro de descarga eléctrica

No seguir estas instrucciones puede resultar en muerte, incendio o descarga eléctrica.

1. Desconecte el horno de la fuente de alimentación mediante el interruptor omnipolar utilizado para la conexión a la red eléctrica, o desenchufe el aparato si el enchufe es accesible.
2. Quite la cubierta de vidrio de la bombilla girándola en el sentido contrario al de las agujas del reloj. (Consulte la Figura 10).
3. Reemplace la bombilla vieja con una bombilla de horno nueva o con las mismas características siguientes:
  - Voltaje: 208 - 240V
  - Vatiaje: 25W
  - Tipo: E14
4. Ponga la cubierta de vidrio de nuevo y reconecte el horno a la fuente de alimentación principal.

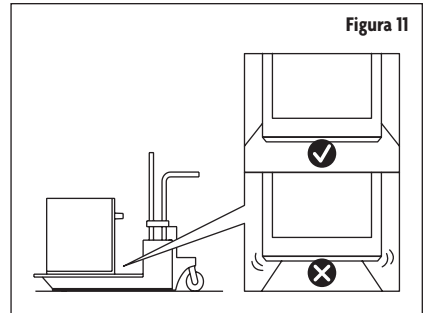


## TRANSPORTE

**⚠ ADVERTENCIA:** Peligro de descarga eléctrica

No seguir estas instrucciones puede resultar en muerte, incendio o descarga eléctrica.

1. Antes de mover su horno, o realizar mantenimiento, desconéctelo de la fuente de alimentación.
2. Para evitar daños a la ventilación del horno, utilice un transporte que sea suficientemente ancho para sostener la totalidad de la parte inferior de la unidad. (Consulte la Figura 11).



# SOLUCIÓN DE PROBLEMAS

Problema	Posibles causas	Soluciones
No funciona o no enciende.	Sin electricidad	Verifique que los cables eléctricos estén conectados a la red eléctrica correctamente. Consulte la sección «Instalación eléctrica» en la página 35.
	El fusible del hogar se fundió o el interruptor se disparó.	Reemplace el fusible o reestablezca el interruptor.
El horno no funciona.	Los controles del horno no están fijados correctamente.	Asegúrese de que el horno esté prendido y fijado en el modo correcto de cocción.
Los ventiladores de enfriamiento funcionan cuando se está horneando o asando.	No hay problema	Es normal que el ventilador se encienda automáticamente cuando el horno está en uso y por algún tiempo después para enfriar.
La temperatura del horno es muy alta o muy baja.	El horno no fue precalentado.	Permita que el horno se precaliente de manera que llegue a la temperatura adecuada cuando sus alimentos se lleven adentro.
	Las parrillas están colocadas incorrectamente.	Trate cambiando la posición de la parrilla.
	La masa no está distribuida de manera uniforme.	Verifique que la masa esté nivelada en el recipiente.
	Se ha utilizado un tiempo de cocción incorrecto.	Ajuste el tiempo de cocción.
	La puerta del horno estaba abierta durante la cocción.	Abrir el horno para mirar los alimentos libera calor del horno y puede resultar en mayor tiempo de cocción.
Los artículos horneados están muy dorados en el fondo.	La parrilla del horno está colocada muy baja.	Mueva la parrilla a una posición más alta en el horno.
Los bordes de las cortezas de los pavs se están dorando muy pronto.	La temperatura está muy caliente.	Utilice papel de aluminio para cubrir el borde de la corteza y/o reduzca la temperatura de cocción al horno.
La luz del horno no funciona.	La bombilla de luz está floja o defectuosa.	Apriete o reemplace la bombilla.
	El interruptor de funcionamiento de la luz está roto.	Póngase en contacto con un técnico calificado.
El horno hace ruidos.	No hay problema	Ese es el sonido del elemento calentador encendiéndose y apagándose y es normal.
Parpadeos de la pantalla.	Corte de electricidad o sobrecarga de tensión	Reajuste el reloj. Si el horno estaba en uso, reajústelo.



## GARANTÍA LIMITADA

MC Appliance Corporation garantiza que todas las Horno de pared carecen de defectos en el material y la mano de obra y acuerda solucionar cualquiera de estos defectos o instalar la(s) parte(s) nueva(s) (a elección de la compañía) en caso de que la unidad haya fallado durante el periodo de garantía. Las partes y gastos de reparación están cubiertos en esta unidad por un periodo de un año a partir de la fecha de compra. Es necesario presentar una copia del recibo o factura de compra con fecha para obtener los servicios de la garantía, el reemplazo o el reembolso.

Esta garantía cubre los aparatos que se usen dentro de los Estados Unidos contiguos, Alaska, Hawái y Puerto Rico. La garantía no cubre lo siguiente:

- Daños debido al daño del envío o a la instalación incorrecta.
- Daños debido al mal uso o abuso.
- Pérdidas de contenido debido a falla de la unidad.
- Las reparaciones se realizaron por los agentes desautorizados del servicio.
- Llamadas de servicio que no implican defectos en material y la ejecución tal como instrucción en el uso apropiado del producto o de la instalación incorrecta.
- Reemplazo o reajuste de los fusibles o de los interruptores de la casa.
- Falla de este producto si se usa con fines distintos a los que fue diseñado.
- Costes de la disposición de unidades falladas no vueltas a nuestra fábrica.
- Todos los gastos de entrega/instalación incurridos como resultado de una unidad que no cumple con lo especificado.
- Gastos de viajes y el transporte de los productos principales de servicio si su aparato está situado en una zona remota donde el servicio por un técnico de servicio no está disponible.
- La remoción y reinstalación de su gran aparato, si está instalado en un lugar inaccesible o no está instalado de conformidad con las instrucciones de instalación publicadas.
- Restituciones por productos no reparables se limita al precio pagado por la unidad por el recibo de compra.
- Esta garantía es intransferible. Esta garantía es válida exclusivamente para el comprador original y no se extiende a ningún otro propietario o propietarios subsiguientes.

### Limitaciones de remedios y exclusiones:

La reparación del producto de acuerdo con los términos de este documento, es el único y exclusivo remedio determinado en esta garantía limitada. Todas y cada una de las garantías implicadas, incluyendo la calidad de comerciable y capacidad para un propósito particular, se limitan mediante la presente a un año o el periodo más corto permitido por la ley. MC Appliance Corporation no es responsable por daños incidentales ni resultantes y ningún representante o persona alguna están autorizados para asumir de parte nuestra ninguna otra responsabilidad en relación con la venta de este producto. Bajo ninguna circunstancia se le permite al consumidor regresar esta unidad a la fábrica sin consentimiento previo por escrito de MC Appliance Corporation.

Algunos estados prohíben la exclusión o limitación por daños incidentales o resultantes, o limitaciones en las garantías implícitas. Esta garantía le otorga a usted derechos legales específicos, y usted puede también tener otros derechos que varían según la entidad federal/va donde se encuentre.

Modelo	Piezas	Trabajo	Tipo de servicio
MCSW0E24S	Uno año	Uno año	Lleve adentro

Para servicio o asistencia, llame por favor al **888-775-0202**. O visítenos en [www.mcappliance.com](http://www.mcappliance.com) para solicitar el servicio de garantía o repuestos.



**CNA International, Inc. realiza negocios bajo el nombre de MC Appliance Corporation. Derechos reservados.**

**El logotipo Magic Chef® es una marca registrada de CNA International, Inc.**

**[www.mcappliance.com](http://www.mcappliance.com)**

**Impreso en China**